

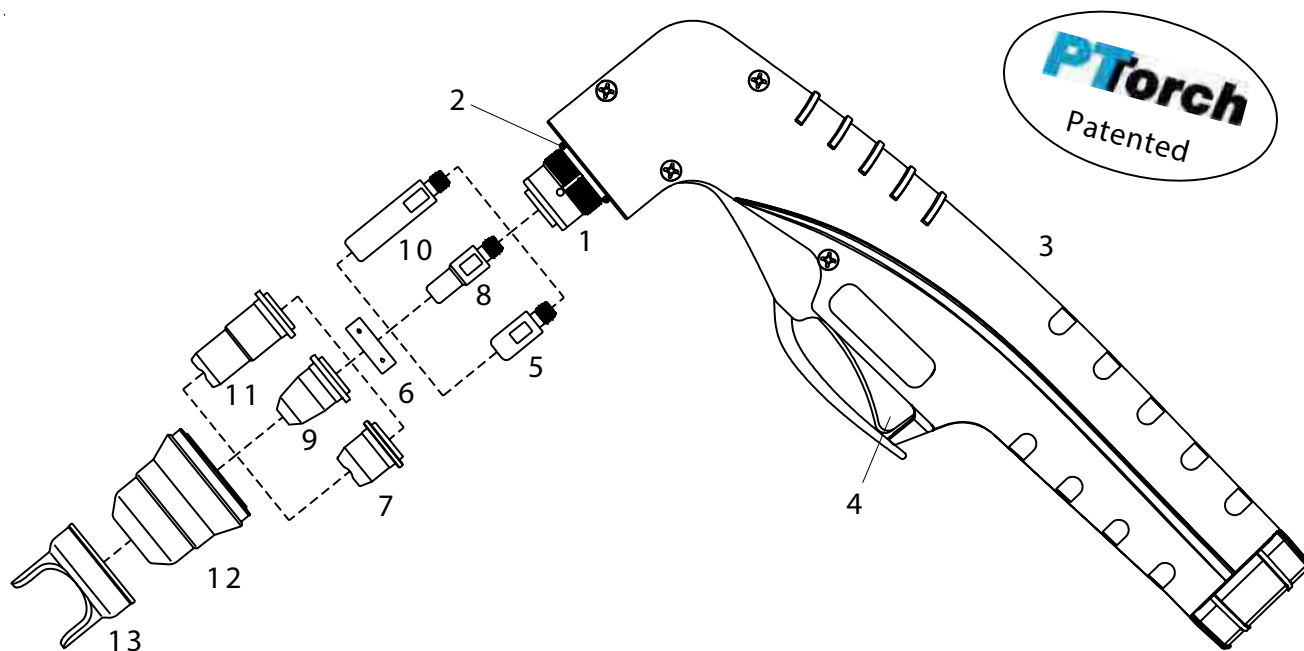
PASSEND FÜR / SUITABLE FOR:

TELWIN®

PLASMA 34 KOMPRESSOR®

PLASMA 54 KOMPRESSOR®

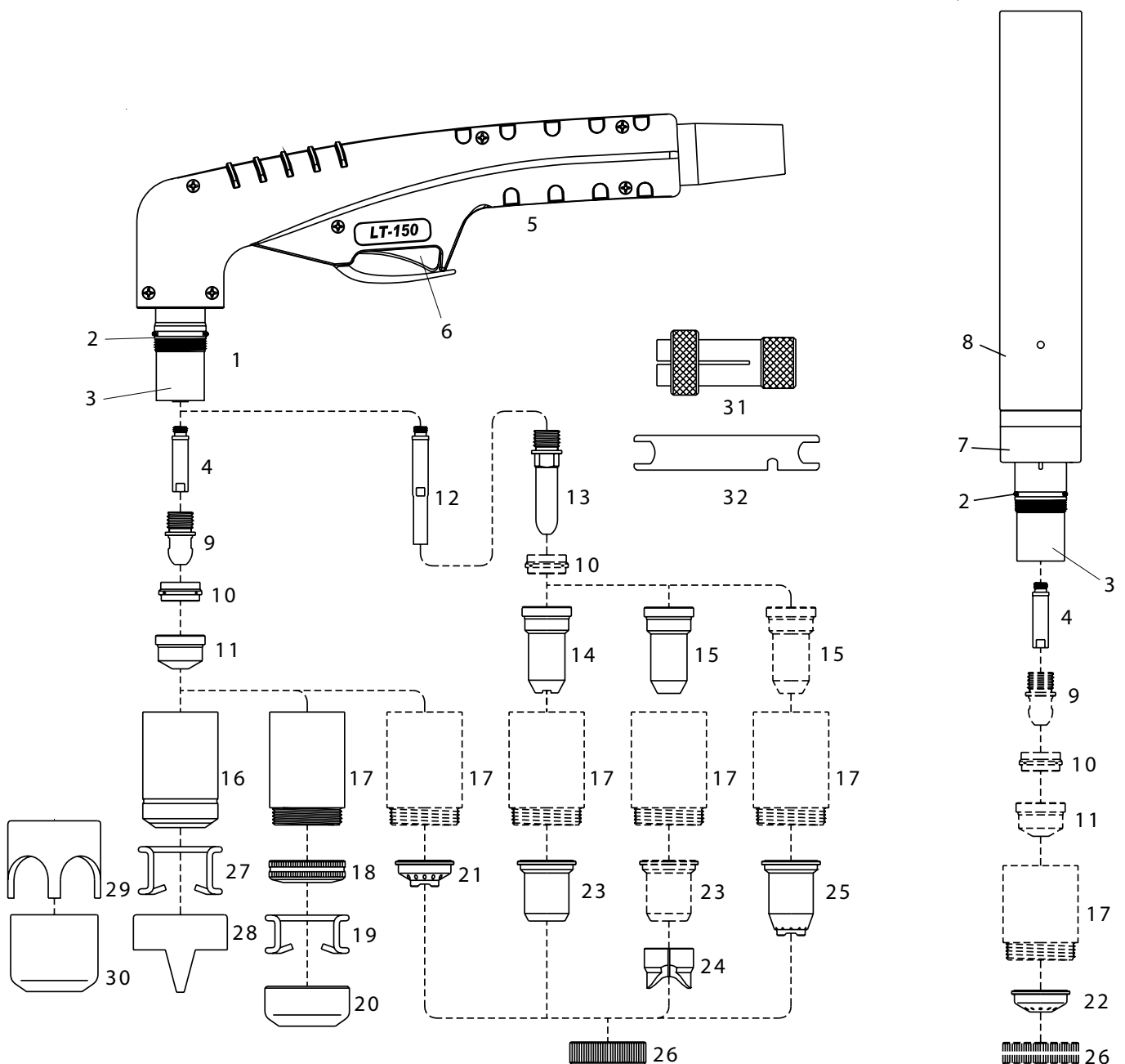
PLASMA 41®



| Item | Bestell-Nr./Order No. | Ref. | Bezeichnung | Description | Euro |
|------|-----------------------|--------|-------------------------|---------------------------|------|
| | 05-4209620TW20 | 742239 | Handbrenner PT-20C, 4 m | Hand torch PT-20C, 4 m | |
| | 05-4209620TW25 | 742237 | Handbrenner PT-25, 4 m | Hand torch PT-25, 4 m | |
| | 05-4209620TW30 | 742065 | Handbrenner PT-40, 4 m | Hand torch PT-40, 4 m | |
| 1 | 05-04909600 | 742474 | Handbrenner | Torch head | |
| 2 | 05-4251620-60 | | O-Ring | O-Ring | |
| 3 | 05-4209605R | 742475 | Handgriff mit Schalter | Handle with Switch | |
| 4 | 05-001758-02 | | Schalter | Switch | |
| 5 | 05-049020-01 | 802421 | Elektrode | Electrode | |
| 6 | 05-049030-01 | 802422 | Swirl Ring | Swirl ring | |
| 7 | 05-049050-09 | | Düse Ø 0,9 | Tip Ø 0.9 | |
| | 05-049050-10 | 802424 | Düse Ø 1,0 | Tip Ø 1.0 | |
| 8 | 05-049015-01 | 802420 | Elektrode | Electrode | |
| 9 | 05-049041-065 | 802092 | Düse Ø 0,65 | Tip Ø 0.65 | |
| | 05-049040-08 | | Düse Ø 0,8 | Tip Ø 0.8 | |
| | 05-049041-09 | 802423 | Düse Ø 0,9 | Tip Ø 0.9 | |
| 10 | 05-049010-01 | 802428 | Elektrode, lang | Extended electrode | |
| 11 | 05-049042-065 | | Düse, lang Ø 0,65 | Extended tip Ø 0.65 | |
| | 05-049040-09 | 802429 | Düse, lang Ø 0,9 | Extended tip Ø 0.9 | |
| | 05-049040-10 | | Düse, lang Ø 1,0 | Extended tip Ø 1.0 | |
| 12 | 05-049070-01 | 802425 | Düsenhalter | Retaining cap | |
| | 05-049071-01 | 802096 | Düsenhalter (1 Loch) | Retaining cap (1 hole) | |
| | 05-049043-01 | | Düsenhalter (2 Löcher) | Retaining cap (2 holes) | |
| | 05-049043-04 | 802485 | Düsenhalter (4 Löcher) | Retaining cap (4 holes) | |
| 13 | 05-049044-01 | | Abstandsstück 2 Spitzen | Double Pointed Spacer | |
| | 05-001702-01 | | Kreisschneideset | Circle cutting attachment | |
| | 05-001703-01 | | Fahrwagen | Cutting Guide | |

PASSEND FÜR / SUITABLE FOR:

TELWIN®
ENTERPRISE PLASMA 160 HF®
SUPER PLASMA 120/3 HF®
SUPERIORPLASMA 90 HF®



PASSEND FÜR / SUITABLE FOR:

TELWIN®

ENTERPRISE PLASMA 160 HF®

SUPER PLASMA 120/3 HF®

SUPERIORPLASMA 90 HF®

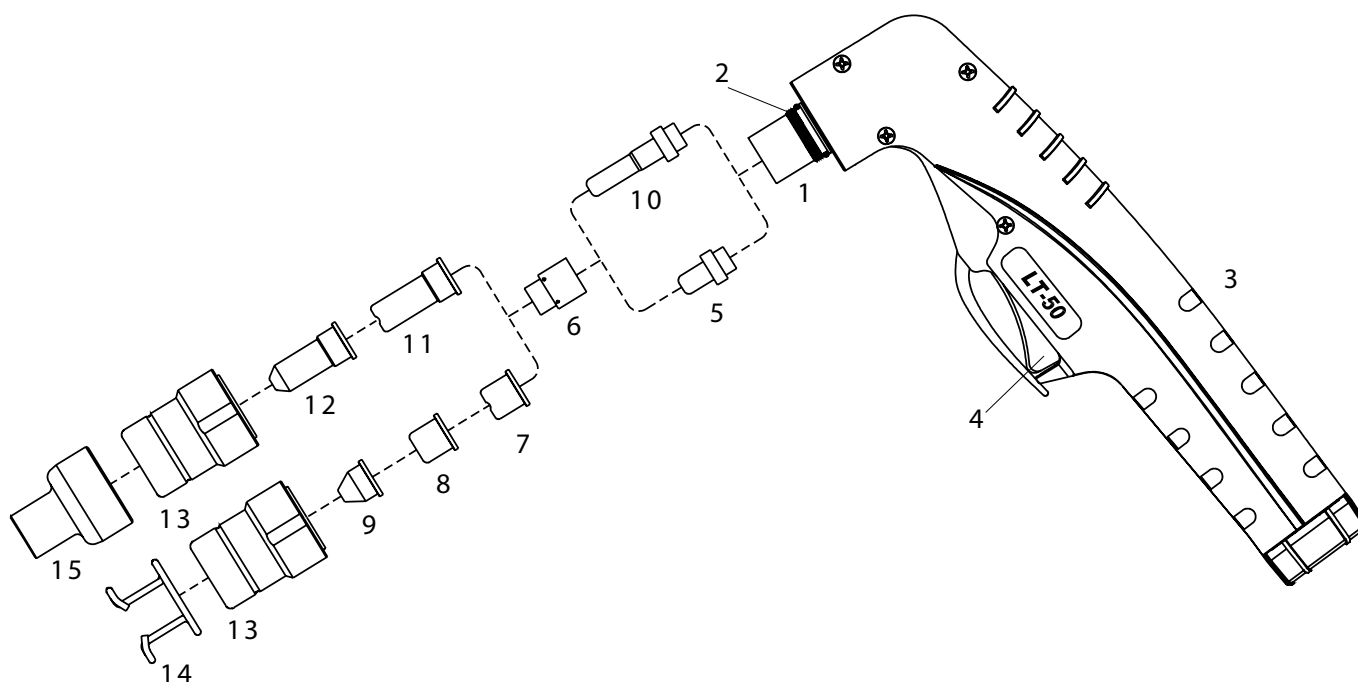
| Item | Bestell-Nr./Order No. | Ref. | Bezeichnung | Description | Euro |
|------|-----------------------|--------|--------------------------------|--------------------------------------|------|
| | 05-4204051LTR-TW | 722332 | Handbrenner, 6 m, ZA | Hand torch, 6 m, cent. connector | |
| | 05-4204151LTR-TW | 722333 | Handbrenner, 12 m, ZA | Hand torch, 12 m, cent. connector | |
| | 05-4204501-TW | 722334 | Maschinenbrenner, 12 m, ZA | Machine torch, 12 m, cent. connector | |
| 1 | 05-4202001 | | Handbrennerkopf | Hand torch head | |
| 2 | 05-001771-01 | 802120 | O-Ring | O-Ring | |
| 3 | 05-001735-01 | | Front insulator | Front insulator | |
| 4 | 05-001378-01 | | Diffusor | Diffusor | |
| 5 | 05-4209706R | | Handgriff mit Microschalter | Handgrip with microswitch | |
| 6 | 05-001758-02 | | Schalter | Switch | |
| 7 | 05-001354-01 | | Maschinenbrennerkopf | Machine torch head | |
| 8 | 05-001774-01 | | Halterrohr Maschinen | Machine handle | |
| 9 | 05-001376-01 | | Elektrode | Electrode | |
| 10 | 05-001377-01 | 802123 | Swirl Ring | Swirl ring | |
| 11 | 05-001371-01 | | Düse Long Life Ø 1,1 | Tip Long Life Ø 1.1 | |
| | 05-001372-01 | 802119 | Düse Long Life Ø 1,35 | Tip Long Life Ø 1.35 | |
| | 05-001373-01 | 802124 | Düse Long Life Ø 1,6 | Tip Long Life Ø 1.6 | |
| | 05-001373-01 | 802125 | Düse Long Life Ø 1,8 | Tip Long Life Ø 1.8 | |
| | 05-001374-24 | | Düse Ø 2,4 120A, Fugenhobeln | Gouging tip Ø 2.4 120A | |
| | 05-001375-01 | | Düse Ø 3,0 150A, Fugenhobeln | Gouging tip Ø 3.0 150A | |
| 12 | 05-001378-02 | 802121 | Diffusor, lang | Extended diffusor | |
| 13 | 05-001517-02 | | Elektrode, lang | Extended electrode | |
| 14 | 05-001369-01 | 802083 | Kontaktdüse max 50A, lang | Contact extended tip max 50A | |
| 15 | 05-001369-02 | | Düse Ø 1,35 - 90A, lange | Extended tip Ø 1.35 - 90A | |
| | 05-001369-03 | | Düse Ø 1,6 - 120A, lang | Extended tip Ø 1.6 - 120A | |
| | 05-001369-04 | | Düse Ø 1,8 - 150A, lang | Extended tip Ø 1.8 - 150A | |
| 16 | 05-001389-01 | 802126 | Düsenhalter | Retaining cap | |
| 17 | 05-001782-01 | | Kontakt Düsenhalter | Contact retaining cap | |
| | 05-001783-01 | | Kontakt Düsenhalter, Max Life | Contact retaining cap, Max Life | |
| 18 | 05-001789-01 | | Überwurfmutter | Spring holder protection nut | |
| 19 | 05-001790-01 | | Abstandsfeder | Spacer spring | |
| 20 | 05-001407-01 | | Spritzschutz, Fugenhobeln | Gouging spacer | |
| 21 | 05-001791-01 | | Kontaktdüsenchutz, Hand | Shield cup hand | |
| 22 | 05-001788-02 | | Kontaktdüsenchutz Maschine | Shield cup machine | |
| 23 | 05-001792-01 | | Kontaktdüsenchutz Maschine 50A | Shield cup hand max 50A | |
| 24 | 05-001793-01 | | Düsenchutz | Spacer contact cutting hand | |
| 25 | 05-001793-02 | | Abstandsstück 2 Spitzen | Spacer extended tips High Amp. | |
| 26 | 05-001794-01 | | Überwurfmutter | Locking nut | |
| 27 | 05-001386-01 | 802127 | Abstandsfeder | Spacer spring | |
| 28 | 05-001408-01 | | Abstandstück 2 Spitzen | Double pointed spacer | |
| 29 | 05-001409-01 | | Abstandsstück 4 Spitzen | Crown spacer | |
| 30 | 05-001406-01 | | Spritzschutz | Gouging spacer | |
| 31 | 05-001509-01 | | Auszieher für Swirl Ring | Extractor for swirl ring | |
| 32 | 05-001733-01 | | Schlüssel für Elektrode | Wrench for electrode | |
| | 05-001690-01 | | Kreisschneideset | Circle cutting attachment | |
| | 05-001691-01 | | Fahrwagen | Cutting Guide | |

PASSEND FÜR / SUITABLE FOR:

TELWIN®

SUPERIOR PLASMA 60 HF®

SUPER PLASMA 80/3 HF®



| Item | Bestell-Nr./Order No. | Ref. | Bezeichnung | Description | Euro |
|------|-----------------------|--------|----------------------------------|------------------------------------|------|
| | 05-4203051LTR-TW | 742040 | Handbrenner 6 m, ZA | Hand torch, 6 m, central connector | |
| | 05-4203050LTR-TW | 722474 | Handbrenner 6 m, 9/16" Anschluss | Hand torch, 6 m, 9/16" connection | |
| 1 | 05-4201001 | | Handbrennerkopf | Hand Torch head | |
| 2 | 05-001731-01 | | O-Ring | O-Ring | |
| 3 | 05-4209606R | 742478 | Handgriff mit Mikroschalter | Handgrip with microswitch | |
| 4 | 05-001758-02 | | Schalter | Switch | |
| 5 | 05-42052512L | 802076 | Elektrode | Electrode | |
| 6 | 05-001511-01 | 802080 | Swirl Ring | Swirl ring | |
| 7 | 05-001304-01 | 802077 | Düse Ø 1,0 | Tip Ø 1.0 | |
| | 05-001396-01 | | Düse Ø 1,0, long life | Tip Long Life Ø 1.0 | |
| | 05-001396-02 | | Düse Ø 1,1, long life | Tip Long Life Ø 1.1 | |
| 8 | 05-027050-01 | | Düse Ø 1,0, flach | Flat tip Ø 1.0 | |
| 9 | 05-001305-01 | | Düse Ø 1,0, konisch | Conical tip Ø 1.0 | |
| 10 | 05-001518-02 | 802078 | Elektrode, lang | Extended electrode | |
| 11 | 05-001370-01 | 802079 | Düse, lang Ø 1,0 | Extended tip Ø 1.0 | |
| | 05-001395-01 | | Düse, lang Ø 1,0, long life | Extended tip Long Life Ø 1.0 | |
| | 05-001395-03 | | Düse, lang Ø 1,1, long life | Extended tip Long Life Ø 1.1 | |
| 12 | 05-001306-01 | | Düse Ø 1,0, konisch, lang | Extended conical tip Ø 1.0 | |
| 13 | 05-4260320L | 802081 | Düsenhalter | Retaining cap | |
| 14 | 05-001394-01 | 802128 | Abstandsfeder | Spacer Spring | |
| 15 | 05-001750-01 | | Schutzkappe, hand, lange Düse | Shield cap, hand, extended tips | |
| | 05-001660-01 | | Kreisschneideset | Circle cutting attachment | |
| | 05-001661-01 | | Fahrwagen | Cutting Guide | |