

PASSEND FÜR / SUITABLE FOR:

KJELLBERG®

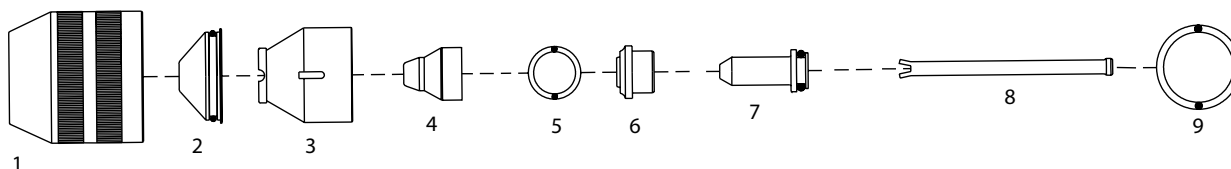
PA-S47CNC® - FineFocus 450®

PB-S20W/WH® PB-S25W/WH®

PBS40W/WH® PB-S45W/WH®

PB-S45W/WH-1®

PZ-S45W®

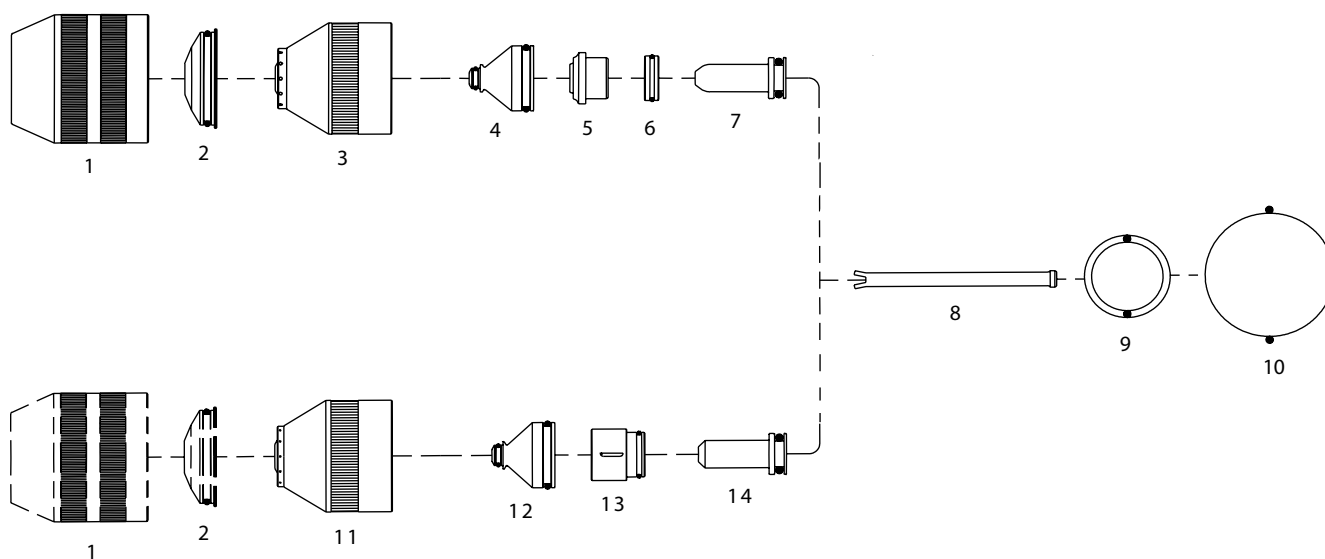


Item	Bestell-Nr./Order No.	Ref.	Bezeichnung	Description	Euro
1	05-1311832201081	.11.832.201.081	Schutzkappe	Shield Cup	
2	05-13118322011561	.11.832.201.1561	Wirbelgaskappe Ø 3.0 W4130	Shield Ø 3.0 W4130	
	05-13118322011571	.11.832.201.1571	Wirbelgaskappe Ø 4.0 W4140	Shield Ø 4.0 W4140	
3	05-1311832201160	.11.832.201.160	Düsenhalter	Nozzle retaining cup	
4	05-1311834321410	.11.834.321.410	Düse Lle-XI Ø 1,0, O ₂	Nozzle Lle-XI Ø 1.0, O ₂	
	05-1311834321413	.11.834.321.413	Düse Lle-XI Ø 1,3, O ₂	Nozzle Lle-XI Ø 1.3, O ₂	
	05-1311834321414	.11.834.321.414	Düse Lle-XI Ø 1,4, O ₂	Nozzle Lle-XI Ø 1.4, O ₂	
5	05-1310575036	.10.575.036	O-Ring 12x1,5 Silikon (10 Stk)	O-Ring 12x1.5 Silicone(10pcs.)	
6	05-1311834321153	.11.834.321.153	Swirl Ring (Vespe) Z111	Swirl ring (Vespe) Z111	
7	05-13118343213001	11.834.321.3001AG	Elektrode Kb-XI O ₂ - Silber	Electrode Kb-XI O ₂ Solid Silver	
8	05-1311832201152	.11.832.201.152	Kühlrohr	Cooling tube	
9	05-1310575052	.10.575.052	O-Ring 20x2 Silikon (10 Stk)	O-Ring 20x2 Silicone (10 pcs.)	

PASSEND FÜR / SUITABLE FOR:

KJELLBERG®

PERCUT100®



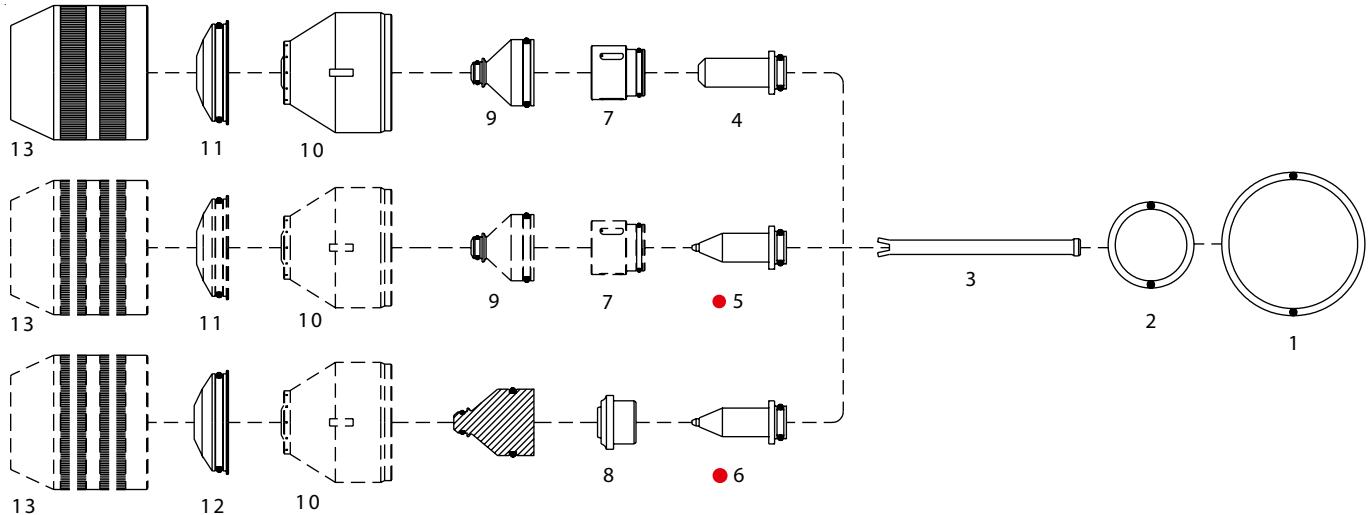
Item	Bestell-Nr./Order No.	Ref.	Bezeichnung	Description	Euro
1	05-1311835201081	.11.835.201.081	Spritzschutz Z501	Shield Cup	
2	05-13118352011561	.11.835.201.1561	Wirbelgaskappe Ø 1,5 Z4015	Shield Ø 1.5 Z4015	
	05-13118352011571	.11.835.201.1571	Wirbelgaskappe Ø 2,0 Z4020	Shield Ø 2.0 Z4020	
	05-13118352011581	.11.835.201.1581	Wirbelgaskappe Ø 2,5 Z4025	Shield Ø 4.5 Z4025	
	05-13118352011591	.11.835.201.1591	Wirbelgaskappe Ø 3,0 Z4030	Shield Ø 3.0 Z4030	
	05-13118354011571	.11.835.401.1571	Wirbelgaskappe Ø 4,0 Z4140	Shield Ø 4.0 Z4140	
3	05-1311835201162	.11.835.201.162	Düsenhalter Ø 0,8 Z3008	Nozzle retaining cup Ø0.8 Z3008	
4	05-1311835221406	.11.835.221.406	Düse Ø 0,6 O ₂ Z2006 (XF)	Nozzle Ø 0.6 O ₂ Z2006 (XF)	
	05-1311835221407	.11.835.221.407	Düse Ø 0,7 O ₂ Z2007 (XF)	Nozzle Ø 0.7 O ₂ Z2007 (XF)	
	05-1311835221408	.11.835.221.408	Düse Ø 0,8 O ₂ Z2008 (XF)	Nozzle Ø 0.8 O ₂ Z2008 (XF)	
	05-1311835221409	.11.835.221.409	Düse Ø 0,9 O ₂ Z2009 (XF)	Nozzle Ø 0.9 O ₂ Z2009 (XF)	
	05-1311835221410	.11.835.221.410	Düse Ø 1,0 O ₂ Z2010 (XF)	Nozzle Ø 1.0 O ₂ Z2010 (XF)	
	05-1311835221411	.11.835.221.411	Düse Ø 1,1 O ₂ Z2011 (XF)	Nozzle Ø 1.1 O ₂ Z2011 (XF)	
	05-1311835221412	.11.835.221.412	Düse Ø 1,2 O ₂ Z2012 (XF)	Nozzle Ø 1.2 O ₂ Z2012 (XF)	
	5	05-1311834321153	.11.834.321.153	Swirl Ring Vespel Z111	Swirl ring (Vespel) Z111
6	05-1311835421303	.11.835.421.303	Abstandshalter - Vespel®	Spacer ring - Vespel®	
7	05-13118354213101	.11.835.421.3101	Elektrode O ₂ X1 Z012 Silber	Electrode O ₂ X1 Z012 – Solid Silver	
8	05-1311835201152	.11.835.201.152	Kühlrohr PerCut 100	Cooling tube PerCut 100	
9	05-1310575052	.10.575.052	O-Ring 20x2 Silikon (10 Stück)	O-Ring 20x2 Silicone (10 pcs.)	
10	05-1310505946	.10.505.946	O-Ring 36x2 Silikon	O-Ring 36x2 Silicone	
11	05-1311835201160	.11.835.201.160	Düsenhalter Ø 0,4 Z3004	Nozzle retaining cup Ø 0.4 Z3004	
12	05-1311835421412	.11.835.421.412	Düse Ø 1,2 O ₂ Z2112 (XF)	Nozzle Ø 1.2 O ₂ Z2112 (XF)	
	05-1311835421414	.11.835.421.414	Düse Ø 1,4 O ₂ Z2114 (XF)	Nozzle Ø 1.4 O ₂ Z2114 (XF)	
13	05-1311835221153	.11.835.221.153	Swirl ring - Vespel® Z101	Swirl ring - Vespel® Z101	
14	05-13118352213101	.11.835.221.3101	Elektrode O ₂ X1 Z002 – Silber	Electrode O ₂ X1 Z002 – Solid Silver	

PASSEND FÜR / SUITABLE FOR:

KJELLBERG®

PERCUT160i®

HIFOCUS160i®



- Pos. 5 und 6 nicht als Nachbau lieferbar
- Pos. 5 and 6 not available as replacement part

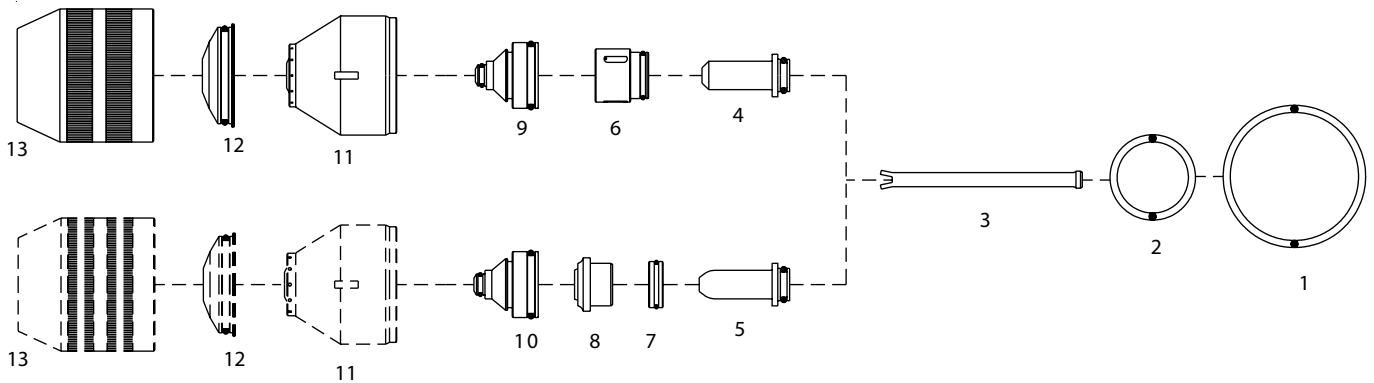
*Abverkauf
 *remnant sale

Item	Bestell-Nr./Order No.	Ref.	Bezeichnung	Description	Euro
1	05-1310505946	.10.505.946	O-Ring 36x2 Silicone (10 Stck)	O-Ring 36x2 Silicone (10 pcs.)	
2	05-1310575052	.10.575.052	O-Ring 20x2 Silicone (10 Stck)	O-Ring 20x2 Silicone (10 pcs.)	
3	05-1311842401152	.11.842.401.152	Kühlrohr	Cooling tube	
4	05-1311842421310	.11.842.421.310	Elektrode S002 Silber	Electrode S002 - Solid Silver	
7	05-1311835221153	.11.835.221.153	Swirl ring Z101	Swirl ring Z101	
	05-1311835221154	.11.835.221.154	Swirl ring Z102	Swirl ring Z102	
8	05-1311834321153	.11.834.321.153	Swirl ring Z111	Swirl ring Z111	
9	*05-1311842421406	.11.842.421.406	Düse Ø 0,6 S2006 25A	Nozzle Ø 0.6 S2006 25A	
	*05-1311842421407	.11.842.421.407	Düse Ø 0,7 S2007 35A	Nozzle Ø 0.7 S2007 35A	
	*05-1311842421408	.11.842.421.408	Düse Ø 0,8 S2008 50A	Nozzle Ø 0.8 S2008 50A	
	*05-1311842421409	.11.842.421.409	Düse Ø 0,9 S2009 70A	Nozzle Ø 0.9 S2009 70A	
	*05-1311842421410	.11.842.421.410	Düse Ø 1,0 S2010 80A	Nozzle Ø 1.0 S2010 80A	
	*05-1311842421411	.11.842.421.411	Düse Ø 1,1 S2011 90A	Nozzle Ø 1.1 S2011 90A	
	*05-1311842421412	.11.842.421.412	Düse Ø 1,2 S2012 100A	Nozzle Ø 1.2 S2012 100A	
	*05-1311842421414	.11.842.421.414	Düse Ø 1,4 S2014 130A	Nozzle Ø 1.4 S2014 130A	
	*05-1311842421416	.11.842.421.416	Düse Ø 1,6 S2016 160A	Nozzle Ø 1.6 S2016 160A	
10	05-1311842401160	.11.842.401.160	Düsenhalter Ø 0,4 S3004	Nozzle retaining cup Ø 0.4 S3004	
	05-1311842401162	.11.842.401.162	Düsenhalter Ø 0,8 S3008	Nozzle retaining cup Ø 0.8 S3008	
	05-13118424011622	.11.842.401.1622	Düsenhalter Ø 0,8 S3028	Nozzle retaining cup Ø 0.8 S3028	
11	05-13118352011561	.11.835.201.1561	Wirbelgaskappe Ø 1,5 Z4015	Shield Ø 1.5 Z4015	
	05-13118352011571	.11.835.201.1571	Wirbelgaskappe Ø 2,0 Z4020	Shield Ø 2.0 Z4020	
	05-13118352011551	.11.835.201.1551	Wirbelgaskappe Ø 2,2 Z4022	Shield Ø 2.2 Z4022	
	05-13118352011581	.11.835.201.1581	Wirbelgaskappe Ø 2,5 Z4025	Shield Ø 2.5 Z4025	
	05-13118352011591	.11.835.201.1591	Wirbelgaskappe Ø 3,0 Z4030	Shield Ø 3.0 Z4030	
	05-13118354011571	.11.835.401.1571	Wirbelgaskappe Ø 4,0 Z4140	Shield Ø 4.0 Z4140	
12	*05-13118354111581	.11.835.411.1581	Wirbelgaskappe Ø 3,0 Z4530	Shield Ø 3.0 Z4530	
	*05-13118354111580	.11.835.411.1580	Wirbelgaskappe Ø 3,5 Z4535	Shield Ø 3.5 Z4535	
	*05-13118354111591	.11.835.411.1591	Wirbelgaskappe Ø 4,0 Z4540	Shield Ø 4.0 Z4540	
	*05-13118354111590	.11.835.411.1590	Wirbelgaskappe Ø 4,5 Z4545	Shield Ø 4.5 Z4545	
13	05-1311835201081	.11.835.201.081	Spritzschutz Z501	Shield Cup Z501	

PASSEND FÜR / SUITABLE FOR:

KJELLBERG®

PERCUT160 / 170®

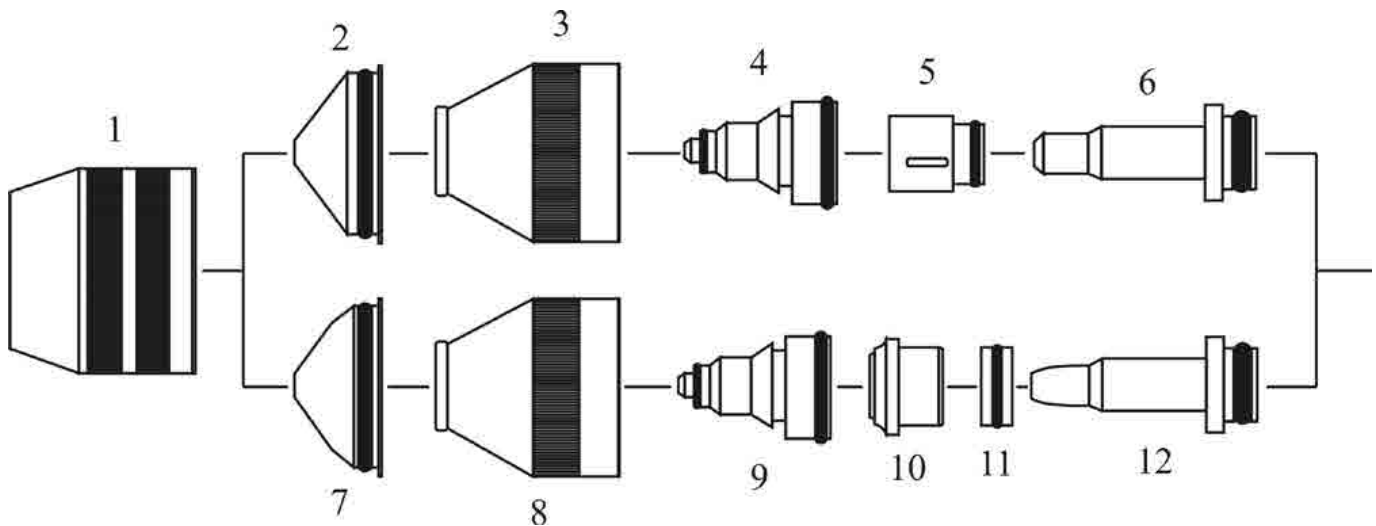


Item	Bestell-Nr./Order No.	Ref.	Bezeichnung	Description	Euro
1	05-1310505946	.10.505.946	O-Ring 36x2 Silicone (10 Stck)	O-Ring 36x2 Silicone (10 pcs.)	
2	05-1310575052	.10.575.052	O-Ring 20x2 Silicone (10 Stck)	O-Ring 20x2 Silicone (10 pcs.)	
3	05-1311842401152	.11.842.401.152	Kühlrohr	Cooling tube	
4	05-1311842421310	.11.843.021.310	Elektrode S002X Silber	Electrode S002X - Solid Silver	
	05-1311843021320	.11.843.021.320	Elektrode S002Y Silber	Electrode S002Y - Solid Silver	
5	05-1311843121310	.11.843.121.310	Elektrode S012X Silber	Electrode S012X - Solid Silver	
6	05-1311835221153	.11.835.221.153	Swirl ring Z101	Swirl ring Z101	
	05-1311835221154	.11.835.221.154	Swirl ring Z102	Swirl ring Z102	
7	05-1311834321153	.11.834.321.153	Swirl ring Z111	Swirl ring Z111	
8	05-1311835421303	.11.835.421.303	Spacer ring Z111A	Spacer ring Z111A	
9	05-1311843021406	.11.843.021.406	Düse Ø 0,6 S2006X 25A (XF)	Nozzle Ø 0.6 S2006X 25A (XF)	
	05-1311843021407	.11.843.021.407	Düse Ø 0,7 S2007X 35A (XF)	Nozzle Ø 0.7 S2007X 35A (XF)	
	05-1311843021408	.11.843.021.408	Düse Ø 0,8 S2008X 50A (XF)	Nozzle Ø 0.8 S2008X 50A (XF)	
	05-1311843021409	.11.843.021.409	Düse Ø 0,9 S2009X 70A (XF)	Nozzle Ø 0.9 S2009X 70A (XF)	
	05-1311843021410	.11.843.021.410	Düse Ø 1,0 S2010X 80A (XF)	Nozzle Ø 1.0 S2010X 80A (XF)	
	05-1311843021411	.11.843.021.411	Düse Ø 1,1 S2011X 90A (XF)	Nozzle Ø 1.1 S2011X 90A (XF)	
	05-1311843021412	.11.843.021.412	Düse Ø 1,2 S2012X 100A(XF)	Nozzle Ø 1.2 S2012X 100A(XF)	
	05-1311843021414	.11.843.021.414	Düse Ø 1,4 S2014X 130A(XF)	Nozzle Ø 1.4 S2014X 130A(XF)	
	05-1311843021416	.11.843.021.416	Düse Ø 1,6 S2016X 160A(XF)	Nozzle Ø 1.6 S2016X 160A(XF)	
10	05-1311843121412	.11.843.121.412	Düse Ø 1,2 S2112X 100A(XF)	Nozzle Ø 1.2 S2112X 100A(XF)	
	05-1311843121414	.11.843.121.414	Düse Ø 1,4 S2114X 130A(XF)	Nozzle Ø 1.4 S2114X 130A(XF)	
	05-1311843121416	.11.843.121.416	Düse Ø 1,6 S2116X 160A(XF)	Nozzle Ø 1.6 S2116X 160A(XF)	
11	05-1311842401160	.11.842.401.160	Düsenhalter Ø 0,4 S3004	Nozzle retaining cup Ø 0.4 S3004	
	05-1311842401162	.11.842.401.162	Düsenhalter Ø 0,8 S3008	Nozzle retaining cup Ø 0.8 S3008	
	05-13118424011622	.11.842.401.1622	Düsenhalter Ø 0,8 S3028	Nozzle retaining cup Ø 0.8 S3028	
12	05-13118352011561	.11.835.201.1561	Wirbelgaskappe Ø 1,5 Z4015	Shield Ø 1.5 Z4015	
	05-13118352011571	.11.835.201.1571	Wirbelgaskappe Ø 2,0 Z4020	Shield Ø 2.0 Z4020	
	05-13118352011551	.11.835.201.1551	Wirbelgaskappe Ø 2,2 Z4022	Shield Ø 2.2 Z4022	
	05-13118352011581	.11.835.201.1581	Wirbelgaskappe Ø 2,5 Z4025	Shield Ø 2.5 Z4025	
	05-13118352011591	.11.835.201.1591	Wirbelgaskappe Ø 3,0 Z4030	Shield Ø 3.0 Z4030	
	05-13118354011571	.11.835.401.1571	Wirbelgaskappe Ø 4,0 Z4140	Shield Ø 4.0 Z4140	
13	05-1311835201081	.11.835.201.081	Spritzschutz Z501	Shield cap Z501	

PASSEND FÜR / SUITABLE FOR:

KJELLBERG®

HiFocus 260i® 3D



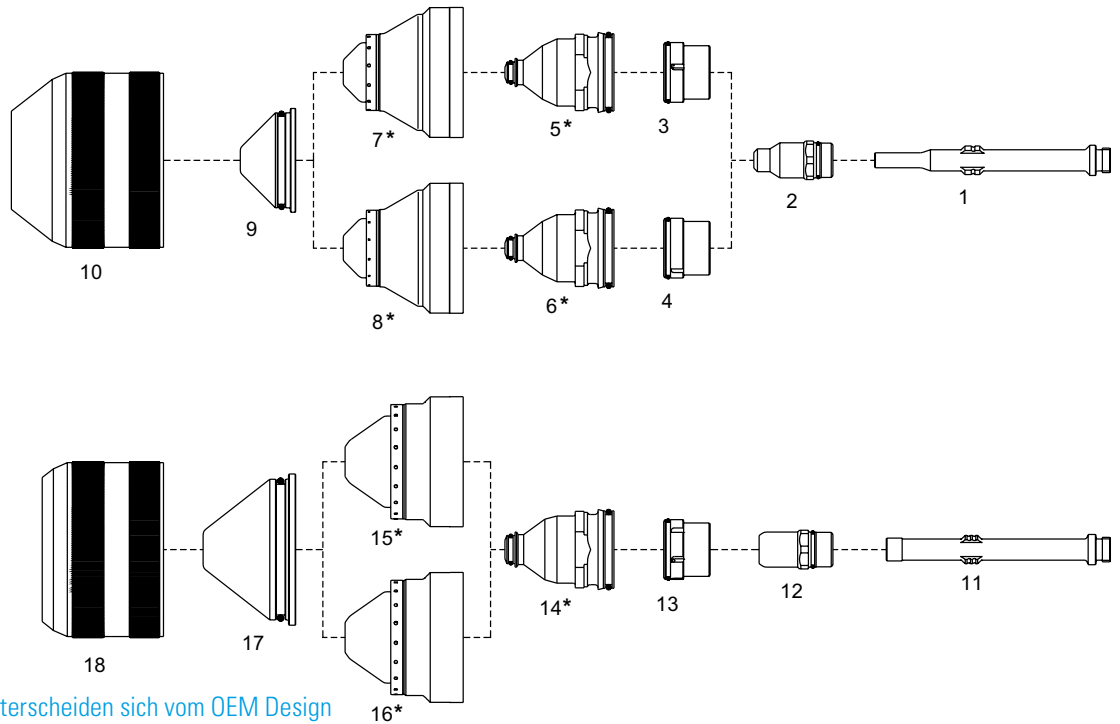
Item	Bestell-Nr./Order No.	Ref.	Bezeichnung	Description	Euro
1	05-1311835201081	.11.835.201.081	Schutzkappe Z501	Shield cap Z501	
2	05-13118380011561	.11.838.001.1561	Wirbelgaskappe Ø 1,5 Y4015 (3D)	Shield Ø 1.5 Y4015 (3D)	
	05-13118380011571	.11.838.001.1571	Wirbelgaskappe Ø 2,0 Y4020 (3D)	Shield Ø 2.0 Y4020 (3D)	
	05-13118426011571	.11.842.601.157	Wirbelgaskappe Ø 2,0 R4020 (3D)	Shield Ø 2.0 R4020 (3D)	
	05-13118426011551	.11.842.601.155	Wirbelgaskappe Ø 2,2 R4022 (3D)	Shield Ø 2.2 R4022 (3D)	
	05-13118426011581	.11.842.601.158	Wirbelgaskappe Ø 2,5 R4025 (3D)	Shield Ø 2.5 R4025 (3D)	
3	05-1311842601160	.11.842.601.160	Düsenkappe Ø 0,4 R3004 (3D)	Retaining cap Ø 0.4 R3004 (3D)	
	05-1311842601162	.11.842.601.162	Düsenkappe Ø 0,8 R3008 (3D)	Retaining cap Ø 0.8 R3008 (3D)	
4	05-1311842621406	.11.842.621.406	Düse Ø 0,6 R2006 O ₂ 25A (3D)	Nozzle Ø 0.6 R2006 O ₂ 25A (3D)	
	05-1311842621407	.11.842.621.407	Düse Ø 0,7 R2007 O ₂ 35A (3D)	Nozzle Ø 0.7 R2007 O ₂ 35A (3D)	
	05-1311842621408	.11.842.621.408	Düse Ø 0,8 R2008 O ₂ 50A (3D)	Nozzle Ø 0.8 R2008 O ₂ 50A (3D)	
	05-1311842621409	.11.842.621.409	Düse Ø 0,9 R2009 O ₂ 70A (3D)	Nozzle Ø 0.9 R2009 O ₂ 70A (3D)	
	05-1311842621410	.11.842.621.410	Düse Ø 1,0 R2010 O ₂ 80A (3D)	Nozzle Ø 1.0 R2010 O ₂ 80A (3D)	
	05-1311842621411	.11.842.621.411	Düse Ø 1,1 R2011 O ₂ 90A (3D)	Nozzle Ø 1.1 R2011 O ₂ 90A (3D)	
	05-1311842621412	.11.842.621.412	Düse Ø 1,2 R2012 O ₂ 100A (3D)	Nozzle Ø 1.2 R2012 O ₂ 100A (3D)	
	05-1311842621414	.11.842.621.414	Düse Ø 1,4 R2014 O ₂ 130A (3D)	Nozzle Ø 1.4 R2014 O ₂ 130A (3D)	
	05-1311842621416	.11.842.621.416	Düse Ø 1,6 R2016 O ₂ 160A (3D)	Nozzle Ø 1.6 R2016 O ₂ 160A (3D)	
5	05-1311835221153	.11.835.221.153	Swirl Ring Z101	Swirl ring Z101	
6	05-1311842621310	.11.842.621.310AG	Elektrode R002-XL O ₂ Silver (3D)	Elektrode R002-XL O ₂ Silver (3D)	
7	05-1311842701158	.11.842.701.158	Wirbelgaskappe Ø 3,0 R4130 (3D)	Shield Ø 3.0 R4130 (3D)	
	05-1311842701159	.11.842.701.159	Wirbelgaskappe Ø 4,0 R4140 (3D)	Shield Ø 4.0 R4140 (3D)	
8	05-13118426011621	.11.842.601.1621	Düsenkappe Ø 0,8 R3018 (3D)	Retaining cap Ø 0.8 R3018 (3D)	
	05-13118426011622	.11.842.601.1622	Düsenkappe Ø 0,8 R3028 (3D)	Retaining cap Ø 0.8 R3028 (3D)	
9	05-1311842721412	.11.842.721.412	Düse Ø 1,2 R2112 O ₂ 100A (3D)	Nozzle Ø 1.2 R2112 O ₂ 100A (3D)	
	05-1311842721414	.11.842.721.414	Düse Ø 1,4 R2114 O ₂ 130A (3D)	Nozzle Ø 1.4 R2114 O ₂ 130A (3D)	
	05-1311842721416	.11.842.721.416	Düse Ø 1,6 R2116 O ₂ 160A (3D)	Nozzle Ø 1.6 R2116 O ₂ 160A (3D)	
10	05-1311834321153	.11.834.321.153	Swirl Ring Z111	Swirl ring Z111	
11	05-1311835421303	.11.835.421.303	Distanzring Z111A	Spacer Z111A	
12	05-13118354213101	.11.835.421.3101AG	Elektrode R012-XL O ₂ Silver (3D)	Electrode R012-XL O ₂ Silver (3D)	

PASSEND FÜR / SUITABLE FOR:

KJELLBERG®

HiFocus 280i®
 HiFocus 360i®
 HiFocus 440i®
 PerCut 450®
 PerCut 440®

Baustahl – Mild Steel



* Die markierten Teile unterscheiden sich vom OEM Design

* Different to OEM Design

Item	Bestell-Nr./Order No.	Ref.	Bezeichnung	Description	Euro
1	05-1311848201142	.11.848.201.142	Kühlrohr G901Y 20-200A	Cooling Tube G901Y 20-200A	
2	05-1311848221300	.11.848.221.300	Elektrode G002Y 20-200A Silber	Electrode G002Y 20-200A Silver	
3	05-1311848221145	.11.848.221.145	Swirl Ring G101 20-35A	Swirl ring G101 20-35A	
4	05-1311848221146	.11.848.221.146	Swirl Ring G102 60-200A	Swirl ring G102 60-200A	
5*	05-1311848221406	.11.848.221.406	Düse Ø 0,6 G2006Y 20A	Nozzle Ø 0.6 G2006Y 20A	
	05-1311848221407	.11.848.221.407	Düse Ø 0,7 G2007Y 35A	Nozzle Ø 0.7 G2007Y 35A	
6*	05-1311848221408	.11.848.221.408	Düse Ø 0,8 G2008Y 60A	Nozzle Ø 0.8 G2008Y 60A	
	05-1311848221410	.11.848.221.410	Düse Ø 1,0 G2010Y 90A	Nozzle Ø 1.0 G2010Y 90A	
	05-1311848221412	.11.848.221.412	Düse Ø 1,2 G2012Y 130A	Nozzle Ø 1.2 G2012Y 130A	
	05-1311848221414	.11.848.221.414	Düse Ø 1,4 G2014Y 160A	Nozzle Ø 1.4 G2014Y 160A	
	05-1311848221417	.11.848.221.417	Düse Ø 1,7 G2017Y 200A	Nozzle Ø 1.7 G2017Y 200A	
7*	05-13118482011604	.11.848.201.1604	Düsenhalter G3004 20-35A	Retaining cup G3004 20-35A	
8*	05-13118482011628	.11.848.201.1628	Düsenhalter G3028 60-200A	Retaining cup G3028 60-200A	
9*	05-13118482011515	.11.848.201.1515	Wirbelgaskappe Ø 1,5 G4015 20A	Shield Ø 1.5 G4015 20A	
	05-13118482011520	.11.848.201.1520	Wirbelgaskappe Ø 2,0 G4020 35/60A	Shield Ø 2.0 G4020 35/60A	
	05-13118482011522	.11.848.201.1522	Wirbelgaskappe Ø 2,2 G4022 130A	Shield Ø 2.2 G4022 130A	
	05-13118482011525	.11.848.201.1525	Wirbelgaskappe Ø 2,5 G4025 90A	Shield Ø 2.5 G4025 90A	
	05-13118482011530	.11.848.201.1530	Wirbelgaskappe Ø 3,0 G4030 90/200A	Shield Ø 3.0 G4030 90/200A	
10	05-1311848201081	.11.848.201.081	Schutzkappe G501	Shield Cap G501	
11	05-1311848401142	.11.848.401.142	Kühlrohr G931Y 280A	Cooling Tube G931Y 280A	
12	05-1311848421310	.11.848.421.310	Elektrode G032Y 280A Silber	Electrode G032Y 280A Silver	
13	05-1311848421145	.11.848.421.145	Swirl Ring G121 280A	Swirl ring G121 280A	
14*	05-1311848421426	.11.848.421.426	Düse Ø 2,6 G2326Y 280A	Nozzle Ø 2.6 G2326Y 280A	
15*	05-13118484011649	.11.848.401.1649	Düsenhalter G3249 280A 6-25mm	Retaining cup G3249 280A 6-25mm	
16*	05-13118484011619	.11.848.401.1619	Düsenhalter G3219 280A 30-70mm	Retaining cup G3219 280A 30-70mm	
17	05-13118484011550	.11.848.401.1550	Wirbelgaskappe Ø 5,0 G4350 280A	Shield Ø 5.0 G4350 280A	
18	05-1311848401081	.11.848.401.081	Schutzkappe G521	Shield Cap G521	

PASSEND FÜR / SUITABLE FOR:

KJELLBERG®

PA-50®

PA-S75®

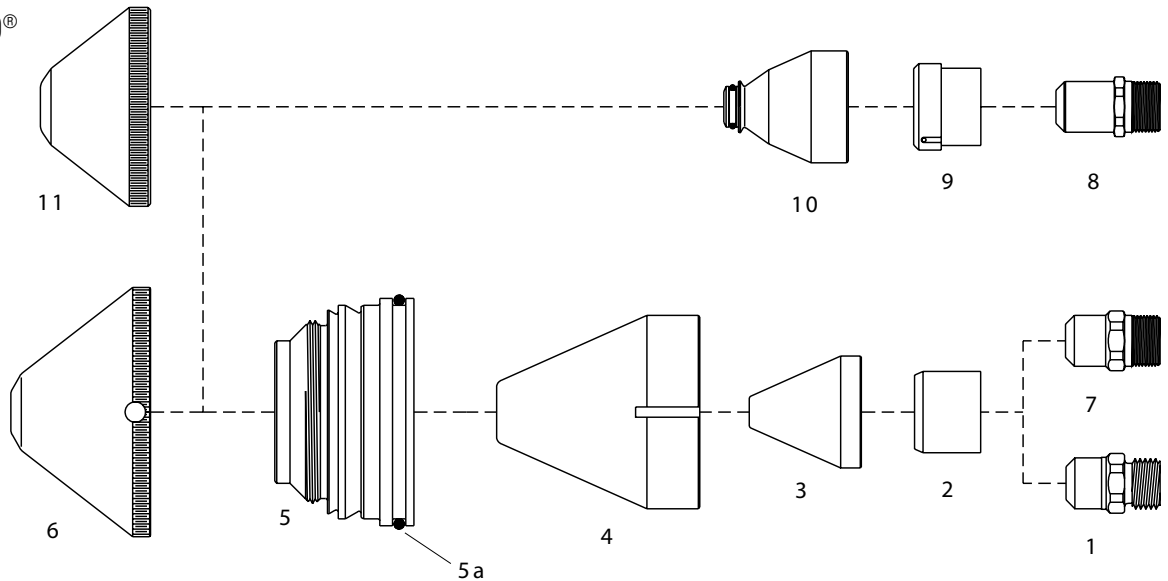
PA-S76®

PB-S77®

FINEFOCUS 800®

FINEFOCUS 900®

FINEFOCUS 1600®



*Abverkauf

*remnant sale

Item	Bestell-Nr./Order No.	Ref.	Bezeichnung	Description	Euro
1	05-131240870	.12.40870	Elektrode K2 Luft	Electrode K2 Air	
	05-1311828921300	.11.828.921.300	Elektrode K2 XL Silber	Electrode K2 XL Silver	
2	05-131240860	.12.40860	Swirl Ring Teflon	Swirl ring Teflon	
	05-131240860V	.12.40860	Swirl Ring Vespel	Swirl ring Vespel	
3	05-1311828901414	.11.828.901.414	Düse L3 XL O ₂ 120A	Nozzle L3 XL O ₂ 120A	
	05-1311828901420	.11.828.901.420	Düse L1 XL O ₂ 160A	Nozzle L1 XL O ₂ 160A	
	05-1311828901425	.11.828.901.425	Düse L2 XL O ₂ 250A	Nozzle L2 XL O ₂ 250A	
4	05-131237790	.12.37790	Düsenhalter konisch Ø 38	Conical retaining cap Ø 38	
5	05-1311833101271	.11.833.101.271	Düse Glasfaser	Nozzle fiberglass	
5a	*05-1310505961	.10.505.961	O-Ring Silikon	O-Ring Silicone	
6	05-1311833101150	.11.833.101.150	Spritzschutz Ø 3,0 V4330	Shield cap Ø 3.0 V4330	
	05-1311833101155	.11.833.101.155	Spritzschutz Ø 3,5 V4335	Shield cap Ø 3.5 V4335	
	05-1311833101156	.11.833.101.156	Spritzschutz Ø 4,0 V4340	Shield cap Ø 4.0 V4340	
	05-1311833101157	.11.833.101.157	Spritzschutz Ø 4,5 V4345	Shield cap Ø 4.5 V4345	
	05-1311833101158	.11.833.101.158	Spritzschutz Ø 5,0 V4350	Shield cap Ø 5.0 V4350	
	05-1311833101159	.11.833.101.159	Spritzschutz Ø 6,0 V4360	Shield cap Ø 6.0 V4360	
7	05-1311833121300	.11.833.121.300	Elektrode K3 XL Silber	Electrode K3 XL Silver	
8	05-1311836921300	.11.836.921.300	Elektrode T012 Silber	Electrode T012 Silver	
9	05-1311836921153	.11.836.921.153	Swirl Ring T102 Teflon	Swirl ring T102 Teflon	
	05-1311836921154	.11.836.921.153	Swirl Ring T101 Teflon	Swirl ring T101 Teflon	
10	05-1311836921420	.11.836.921.420	Düse T2120 200A	Nozzle T2120 200A	
	05-1311836921425	.11.836.921.425	Düse T2125 250A	Nozzle T2125 250A	
	05-1311836921427	.11.836.921.427	Düse T2127 300A	Nozzle T2127 300A	
11	*05-1311833111157	.11.833.111.157	Spritzschutz Ø 4,5 V4545	Shield cap Ø 4.5 V4545	
	*05-1311833111158	.11.833.111.158	Spritzschutz Ø 5,0 V4550	Shield cap Ø 5.0 V4550	