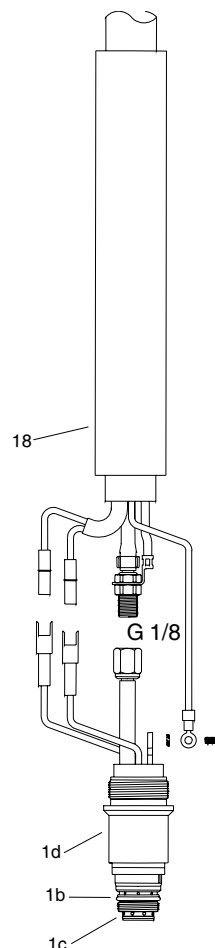
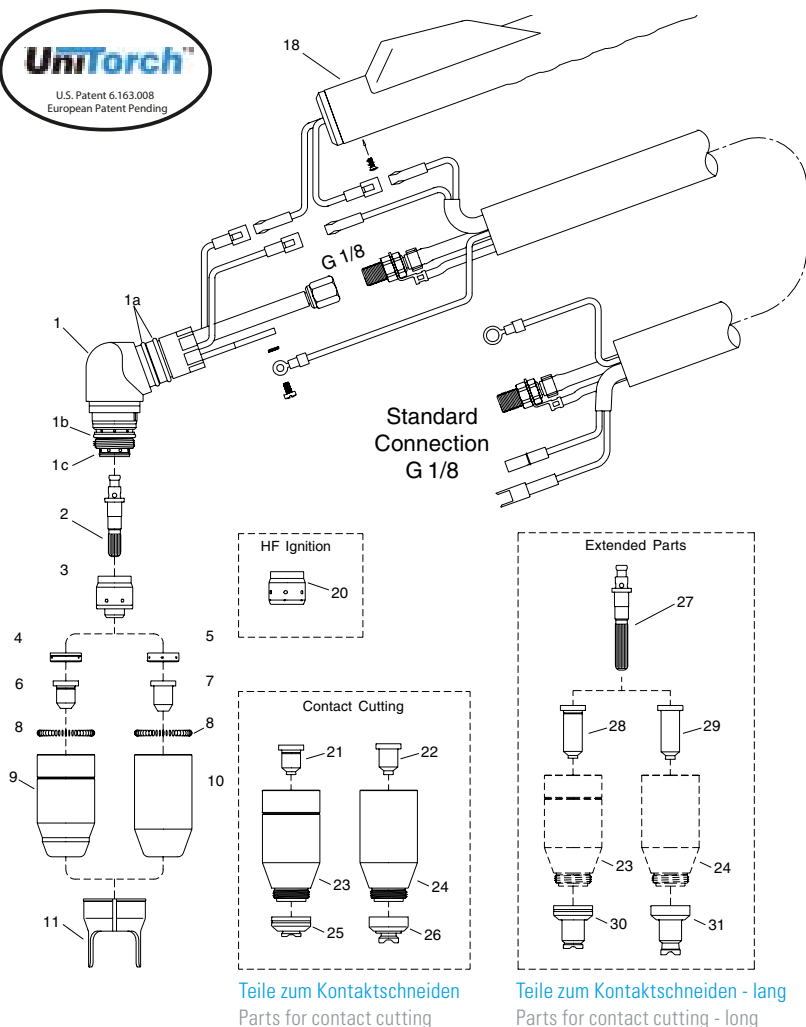


PASSEND FÜR / SUITABLE FOR:

UNITORCH™

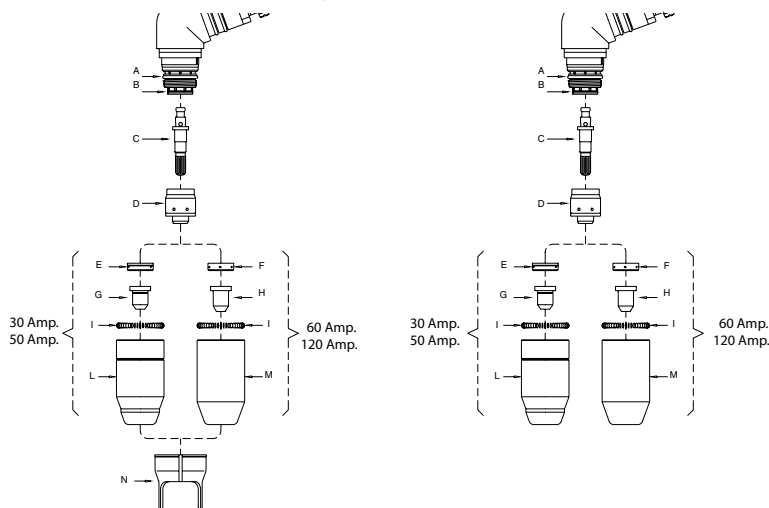
EL-60 Hand- und Maschinenbrenner



Hinweis: Brennerkörper, Elektrode und Start Cartridge sind markiert mit der Bezeichnung „EL 60“.

Reference: Torch, electrode and start cartridge are marked with the description „EL 60“.

Bitte beachten Sie die Teileverwendung bis 50A und die von 60-120A! Please have a look for the 30-50A parts and the 60-120A parts.



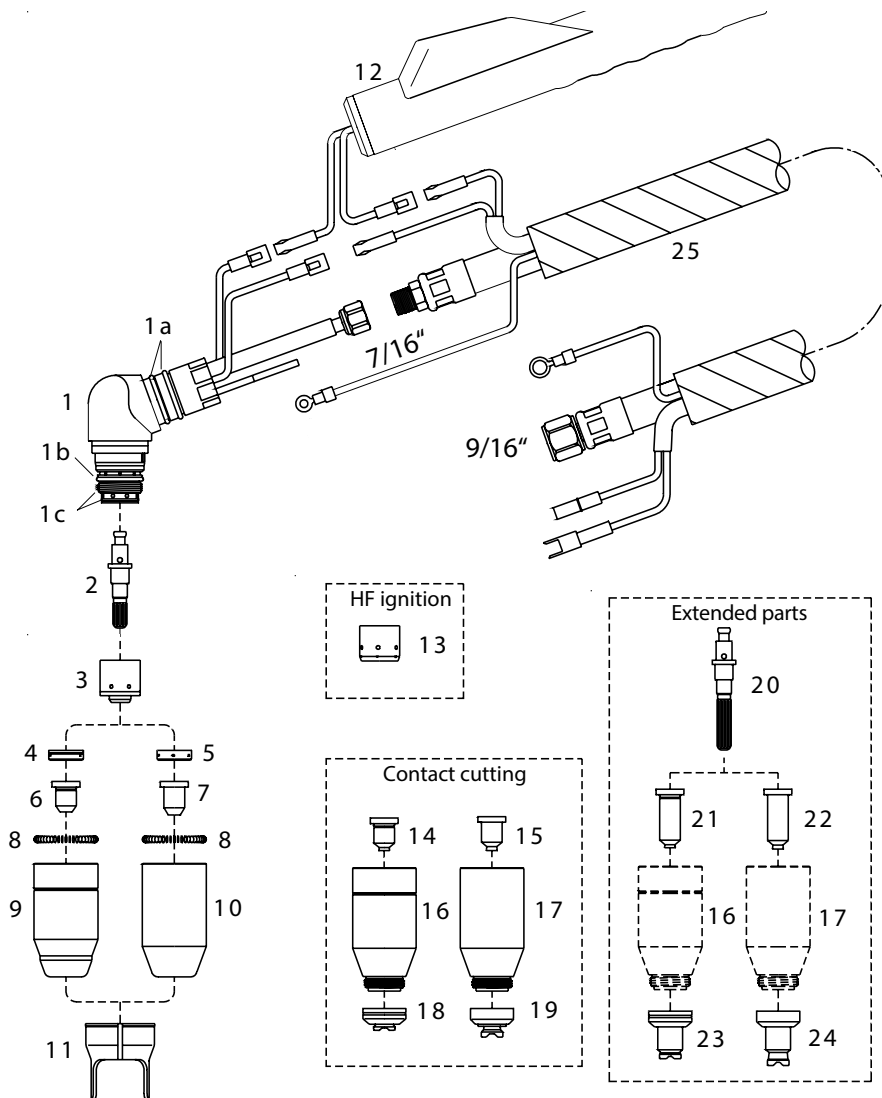
Achtung:
 Teile ohne eine Einkerbung auf Swirl Ring, Düsen und Düsenhalter sind bei 60-120A einsetzbar.
 Teile mit einer Einkerbung auf Swirl Ring, Düsen und Düsenhalter sind bei 30-50A einsetzbar. Teile mit einer Kerbe (Swirl Ring, Düsen und Düsenhalter) dürfen nicht mit Teilen ohne Kerbe (Swirl Ring, Düsen und Düsenhalter) kombiniert werden.
 Brennerkopf, Elektrode und Start-Cartridge sind gekennzeichnet mit „EL 60“.

Attention:
 All parts (swirl ring, nozzles and nozzle retaining caps), which are not marked with a notch are for using between 60-120A.
 All parts (swirl ring, nozzles and nozzle retaining caps), which are marked with a notch are for using between 30-50A.
 You can not use notched parts (swirl ring, nozzles and nozzle retaining caps) with parts (swirl ring, nozzles and nozzle retaining caps) without a notch.
 Torch head, Electrode and Start Cartridge are marked with „EL 60“.

| Item | Bestell-Nr./Order No. | Ref. | Bezeichnung | Description | Euro |
|------|-----------------------|----------|---|--|------|
| | 05-3009210 | 09210 | Handbrenner, Multi 60, 6 m, 1/8" | Hand torch, Multi 60, 6 m, 1/8" | ## |
| | 05-3009215 | 09215 | Handbrenner, Multi 60, 12 m, 1/8" | Hand torch, Multi 60, 12 m, 1/8" | ## |
| | 05-3009220 | 09220 | Ma.-brenner, Multi 60, 6 m, 1/8" | Machine torch, Multi 60, 6 m, 1/8" | ## |
| | 05-3009230 | 09230 | Ma.-brenner, Multi 60, 12 m, 1/8" | Machine torch, Multi 60, 12 m, 1/8" | ## |
| 1 | 05-3007925 | 07925 | EL-60 Brennerkopf 70° | EL-60 Torch head 70° | ## |
| 1a | 05-108-0533 | 07100.53 | O-Ring | O-Ring | ## |
| 1b | 05-108-0532 | 07300.60 | O-Ring | O-Ring | ## |
| 1c | 05-3007920.60 | 07920.60 | O-Ring | O-Ring | ## |
| 1d | 05-3007926 | 07926 | Maschinenbrennerkopf 150° | Machine torch head 150° | ## |
| 2 | 05-3052601 | 52601 | Elektrode Luft/N ₂ | Electrode Air/N ₂ | ## |
| 3 | 05-3007928 | 07928 | Startkartusche 20 -120A für Zündung ohne HF | Start cartridge 20 - 120A without HF ignition | ## |
| 3a | 05-3007929 | 07929 | HF-Isolator (zum Zünden mit HF) | HF-Isolator (with HF ignition) | ## |
| 4 | 05-3060060 | 60060 | Gasverteiler 30/60A | Gas distributor 30/60A | ## |
| 5 | 05-3060061 | 60061 | Gasverteiler 60/120A | Gas distributor 60/120A | ## |
| 6 | 05-3051470 | 51470 | Düse, Schneiden, Luft/N ₂ 30A | Tip, cutting, Air/N ₂ 30A | ## |
| | 05-3051471 | 51471 | Düse, Schneiden, Luft/N ₂ 40A | Tip, cutting, Air/N ₂ 40A | ## |
| | 05-3051472 | 51472 | Düse, Schneiden, Luft/N ₂ 50/60A | Tip, cutting, Air/N ₂ 50/60A | ## |
| 7 | 05-3051474 | 51474 | Düse, Schneiden, Luft/N ₂ 60A | Tip, cutting, Air/N ₂ 60A | ## |
| | 05-3051475 | 51475 | Düse, Schneiden, Luft/N ₂ 70A | Tip, cutting, Air/N ₂ 70A | ## |
| | 05-3051476 | 51476 | Düse, Schneiden, Luft/N ₂ 80A | Tip, cutting, Air/N ₂ 80A | ## |
| | 05-3051477 | 51477 | Düse, Schneiden, Luft/N ₂ 90/100A | Tip, cutting, Air/N ₂ 90/100A | ## |
| | 05-3051478 | 51478 | Düse, Schneiden, Luft/N ₂ 120A | Tip, cutting, Air/N ₂ 120A | ## |
| 8 | 05-109-7501E | 60442 | Feder | Coil spring | ## |
| 9 | 05-3060480 | 60480 | Düsenhalter 30/60A | Shield cap 30/60A | ## |
| 10 | 05-3060481 | 60481 | Düsenhalter 60/120A | Shield cap 60/120A | ## |
| 11 | 05-108-7575 | 60444 | Abstandsstück 2 Spitzen | Double pointed spacer | ## |
| 18 | 05-3007106E | 07106E | Handgriff mit Mikroschalter | Handle with microswitch | ## |
| 18a | 05-029041-01 | 07215 | Brennerrohr f. Maschinenbrenner | Handle - machine torch | ## |
| 21 | 05-3051480 | 51480 | Kontaktdüse, Luft/N ₂ 30A | Contact Tip, Air/N ₂ 30A | ## |
| | 05-3051481 | 51481 | Kontaktdüse, Luft/N ₂ 40A | Contact Tip, Air/N ₂ 40A | ## |
| | 05-3051482 | 51482 | Kontaktdüse, Luft/N ₂ 50/60A | Contact Tip, Air/N ₂ 50/60A | ## |
| 22 | 05-3051484 | 51484 | Kontaktdüse, Luft/N ₂ 60A | Contact Tip, Air/N ₂ 60A | ## |
| | 05-3051485 | 51485 | Kontaktdüse, Luft/N ₂ 70A | Contact Tip, Air/N ₂ 70A | ## |
| | 05-3051486 | 51486 | Kontaktdüse, Luft/N ₂ 80A | Contact Tip, Air/N ₂ 80A | ## |
| | 05-3051487 | 51487 | Kontaktdüse, Luft/N ₂ 90/100A | Contact Tip, Air/N ₂ 90/100A | ## |
| | 05-3051488 | 51488 | Kontaktdüse, Luft/N ₂ 120A | Contact Tip, Air/N ₂ 120A | ## |
| 23 | 05-3060482 | 60482 | Düsenhalter body 30/60A | Shield cap body 30/60A | ## |
| 24 | 05-3060483 | 60483 | Düsenhalter body 60/120A | Shield cap body 60/120A | ## |
| 25 | 05-3060485 | 60485 | Düsenhalter Hand 30/60A | Shield cap hand 30/60A | ## |
| 26 | 05-3060486 | 60486 | Düsenhalter Hand 60/120A | Shield cap hand 60/120A | ## |
| 27 | 05-3052602 | 52602 | Elektrode lang Luft/N ₂ | Extended Electrode Air/N ₂ | ## |
| 28 | 05-3051490 | 51490 | Kontaktdüse lang, Luft/N ₂ 30A | Extended Contact Tip, Air/N ₂ 30A | ## |
| | 05-3051491 | 51491 | Kontaktdüse lang, Luft/N ₂ 40A | Extended Contact Tip, Air/N ₂ 40A | ## |
| | 05-3051492 | 51492 | Kontaktdüse lang, Luft/N ₂ 50/60A | Extended Contact Tip, Air/N ₂ 50/60A | ## |
| 29 | 05-3051493 | 51493 | Kontaktdüse lang, Luft/N ₂ 60A | Extended Contact Tip, Air/N ₂ 60A | ## |
| | 05-3051494 | 51494 | Kontaktdüse lang, Luft/N ₂ 70A | Extended Contact Tip, Air/N ₂ 70A | ## |
| | 05-3051495 | 51495 | Kontaktdüse lang, Luft/N ₂ 80A | Extended Contact Tip, Air/N ₂ 80A | ## |
| | 05-3051496 | 51496 | Kontaktdüse lang, Luft/N ₂ 90/100A | Extended Contact Tip, Air/N ₂ 90/100A | ## |
| | 05-3051497 | 51497 | Kontaktdüse lang, Luft/N ₂ 120A | Extended Contact Tip, Air/N ₂ 120A | ## |
| 30 | 05-3060490 | 60490 | Düsenhalter lang Hand 30/60A | Extended Shield cap Hand 30/60A | ## |
| 31 | 05-3060491 | 60491 | Düsenhalter lang Hand 60/120A | Extended Shield cap Hand 60/120A | ## |
| | 05-3051864 | 51864 | Kreischneideset | Circle cutting attachment | ## |
| | 05-3051802 | | Fahrwagen | Cutting guide | ## |

PASSEND FÜR / SUITABLE FOR:
UNITORCH™
 EL-120 Handbrenner 30-120A

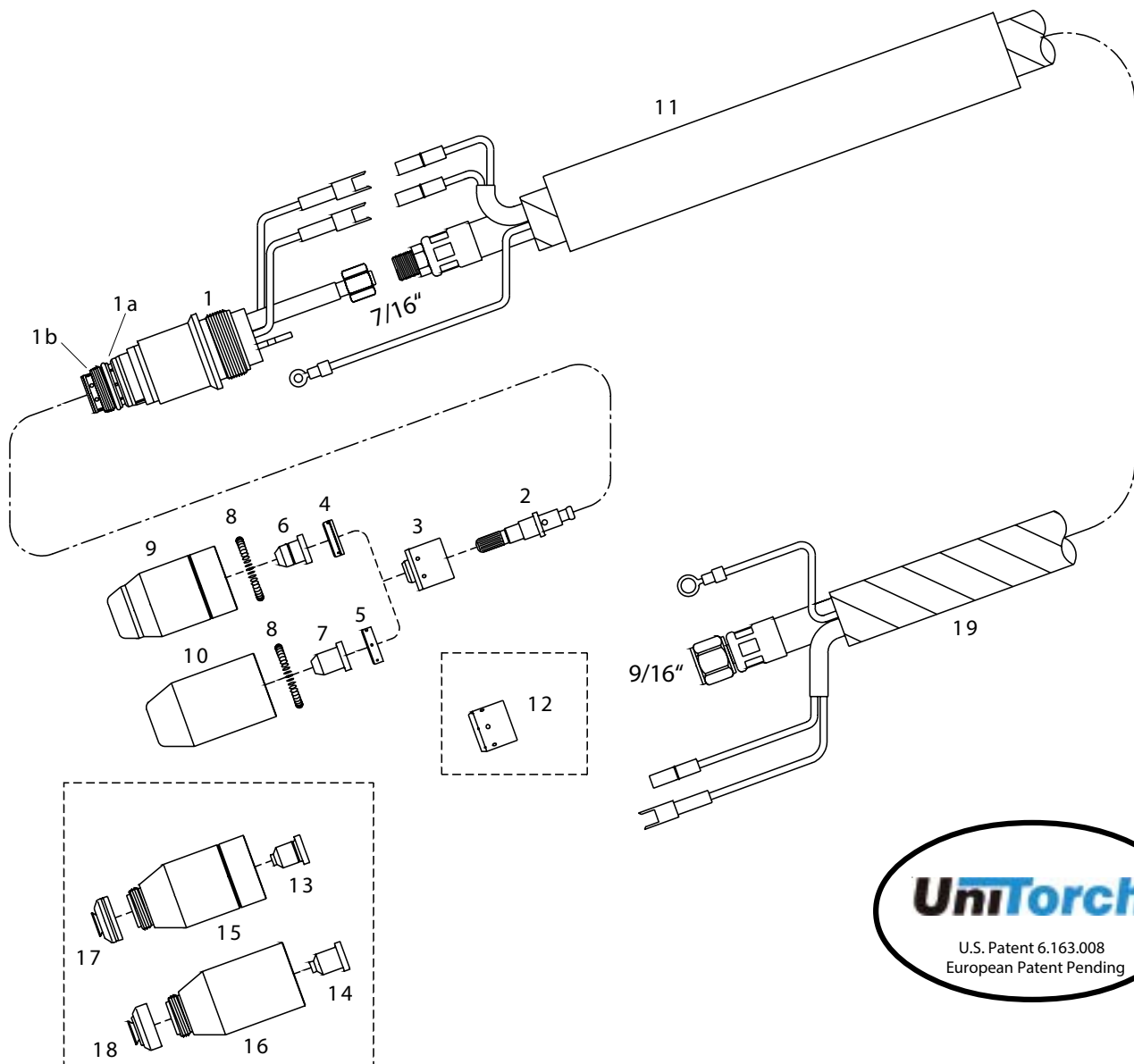
With & without HIGH FREQUENCY/
 Mit und ohne Hochfrequenz



Torches are supplied with
 Non-High Frequency parts

| Item | Bestell-Nr./Order No. | Ref. | Bezeichnung | Description | Euro |
|------|-----------------------|----------|---|--|------|
| | 05-3009000 | 09000 | Handbrennerpaket, 6m 9/16" | Hand torch, 6m 9/16" connection | ## |
| | 05-3009010 | 09010 | Handbrennerpaket, 12m 9/16" | Hand torch, 12m 9/16" connection | ## |
| 1 | 05-3007920 | 07920 | EL-120 Brennerkopf 70° | EL-120 Torch head 70° | ## |
| 1a | 05-108-0533 | 07100.53 | O-Ring | O-Ring | ## |
| 1b | 05-108-0532 | 07300.60 | O-Ring | O-Ring | ## |
| 1c | 05-3007920.60 | 07920.60 | O-Ring | O-Ring | ## |
| 2 | 05-3052600 | 52600 | Elektrode Luft/N ₂ | Electrode Air/N ₂ | ## |
| 3 | 05-3007923 | 07923 | Startkartusche 30 -120A für Zündung ohne HF | Start cartridge 30/120A without HF ignition | ## |
| 4 | 05-3060060 | 60060 | Gasverteiler 30/60A | Gas distributor 30/60A | ## |
| 5 | 05-3060061 | 60061 | Gasverteiler 60/120A | Gas distributor 60/120A | ## |
| 6 | 05-3051470 | 51470 | Düse, Schneiden, Luft/N ₂ 30A | Tip, cutting, Air/N ₂ 30A | ## |
| | 05-3051471 | 51471 | Düse, Schneiden, Luft/N ₂ 40A | Tip, cutting, Air/N ₂ 40A | ## |
| | 05-3051472 | 51472 | Düse, Schneiden, Luft/N ₂ 50/60A | Tip, cutting, Air/N ₂ 50/60A | ## |
| 7 | 05-3051474 | 51474 | Düse, Schneiden, Luft/N ₂ 60A | Tip, cutting, Air/N ₂ 60A | ## |
| | 05-3051475 | 51475 | Düse, Schneiden, Luft/N ₂ 70A | Tip, cutting, Air/N ₂ 70A | ## |
| | 05-3051476 | 51476 | Düse, Schneiden, Luft/N ₂ 80A | Tip, cutting, Air/N ₂ 80A | ## |
| | 05-3051477 | 51477 | Düse, Schneiden, Luft/N ₂ 90/100A | Tip, cutting, Air/N ₂ 90/100A | ## |
| | 05-3051478 | 51478 | Düse, Schneiden, Luft/N ₂ 120A | Tip, cutting, Air/N ₂ 120A | ## |
| 8 | 05-109-7501E | 60442 | Feder | Coil spring | ## |
| 9 | 05-3060480 | 60480 | Düsenhalter 30/60A | Shield cap 30/60A | ## |
| | 05-3060480S | 60480/S | Düsenhalter 30/60A Maximum Life | Shield cap 30/60A Maximum Life | ## |
| 10 | 05-3060481 | 60481 | Düsenhalter 60/120A | Shield cap 60/120A | ## |
| | 05-3060481S | 60481/S | Düsenhalter 60/120A Maximum Life | Shield cap 60/120A Maximum Life | ## |
| 11 | 05-108-7575 | 60444 | Abstandsstück 2 Spitzen | Double pointed spacer | ## |
| 12 | 05-3007106E | 07106E | Handgriff mit Mikroschalter | Handle with microswitch | ## |
| 13 | 05-3007924 | 07924 | HF-Isolator (zum Zünden mit HF) | HF-Isolator (with HF ignition) | ## |
| 14 | 05-3051480 | 51480 | Kontaktdüse, Luft/N ₂ 30A | Contact Tip, Air/N ₂ 30A | ## |
| | 05-3051481 | 51481 | Kontaktdüse, Luft/N ₂ 40A | Contact Tip, Air/N ₂ 40A | ## |
| | 05-3051482 | 51482 | Kontaktdüse, Luft/N ₂ 50/60A | Contact Tip, Air/N ₂ 50/60A | ## |
| 15 | 05-3051484 | 51484 | Kontaktdüse, Luft/N ₂ 60A | Contact Tip, Air/N ₂ 60A | ## |
| | 05-3051485 | 51485 | Kontaktdüse, Luft/N ₂ 70A | Contact Tip, Air/N ₂ 70A | ## |
| | 05-3051486 | 51486 | Kontaktdüse, Luft/N ₂ 80A | Contact Tip, Air/N ₂ 80A | ## |
| | 05-3051487 | 51487 | Kontaktdüse, Luft/N ₂ 90/100A | Contact Tip, Air/N ₂ 90/100A | ## |
| | 05-3051488 | 51488 | Kontaktdüse, Luft/N ₂ 120A | Contact Tip, Air/N ₂ 120A | ## |
| 16 | 05-3060482 | 60482 | Düsenhalter body 30/60A | Shield cap body 30/60A | ## |
| | 05-3060482S | 60482/S | Düsenhalter body 30/60A Max. Life | Shield cap body 30/60A Max. Life | ## |
| 17 | 05-3060483 | 60483 | Düsenhalter body 60/120A | Shield cap body 60/120A | ## |
| | 05-3060483S | 60483/S | Düsenhalter body 60/120A Max. Life | Shield cap body 60/120A Max. Life | ## |
| 18 | 05-3060485 | 60485 | Düsenhalter Hand 30/60A | Shield cap hand 30/60A | ## |
| 19 | 05-3060486 | 60486 | Düsenhalter Hand 60/120A | Shield cap hand 60/120A | ## |
| 20 | 05-3052603 | 52603 | Elektrode lang Luft/N ₂ | Extended Electrode Air/N ₂ | ## |
| 21 | 05-3051490 | 51490 | Kontaktdüse lang, Luft/N ₂ 30A | Extended Contact Tip, Air/N ₂ 30A | ## |
| | 05-3051491 | 51491 | Kontaktdüse lang, Luft/N ₂ 40A | Extended Contact Tip, Air/N ₂ 40A | ## |
| | 05-3051492 | 51492 | Kontaktdüse lang, Luft/N ₂ 50/60A | Extended Contact Tip, Air/N ₂ 50/60A | ## |
| 22 | 05-3051493 | 51493 | Kontaktdüse lang, Luft/N ₂ 60A | Extended Contact Tip, Air/N ₂ 60A | ## |
| | 05-3051494 | 51494 | Kontaktdüse lang, Luft/N ₂ 70A | Extended Contact Tip, Air/N ₂ 70A | ## |
| | 05-3051495 | 51495 | Kontaktdüse lang, Luft/N ₂ 80A | Extended Contact Tip, Air/N ₂ 80A | ## |
| | 05-3051496 | 51496 | Kontaktdüse lang, Luft/N ₂ 90/100A | Extended Contact Tip, Air/N ₂ 90/100A | ## |
| | 05-3051497 | 51497 | Kontaktdüse lang, Luft/N ₂ 120A | Extended Contact Tip, Air/N ₂ 120A | ## |
| 23 | 05-3060490 | 60490 | Düsenhalter lang Hand 30/60A | Extended Shield cap Hand 30/60A | ## |
| 24 | 05-3060491 | 60491 | Düsenhalter lang Hand 60/120A | Extended Shield cap Hand 60/120A | ## |
| | 05-3051864 | 51864 | Kreischneideset | Circle cutting attachment | ## |
| | 05-3051802 | | Fahrwagen | Cutting guide | ## |

PASSEND FÜR / SUITABLE FOR:
UNITORCH™
 EL-120 Handbrenner 30-120A



Torches are supplied with Non-High Frequency parts

PASSEND FÜR / SUITABLE FOR:

UNITORCH™

EL-120 Handbrenner 30-120A

| Item | Bestell-Nr./Order No. | Ref. | Bezeichnung | Description | Euro |
|------|-----------------------|----------|--|---|------|
| | 05-3009020 | 09020 | Maschinenbrennerpaket 6m 9/16" | Machine torch 6 m 9/16" connection | ## |
| | 05-3009030 | 09030 | Maschinenbrennerpaket 12m 9/16" | Machine torch 12 m 9/16" connection | ## |
| 1 | 05-3007921 | 07921 | Maschinenbrennerkopf | Machine torch head | ## |
| 1a | 05-108-0532 | 07300.60 | O-Ring | O-Ring | ## |
| 1b | 05-3007920.60 | 07920.60 | O-Ring | O-Ring | ## |
| 2 | 05-3052600 | 52600 | Elektrode Luft/N ₂ | Electrode Air/N ₂ | ## |
| 3 | 05-3007923 | 07923 | Startkartusche 30 -120A Zündung ohne HF | Start cartridge 30/120A without HF ignition | ## |
| 4 | 05-3060060 | 60060 | Gasverteiler 30/60A | Gas distributor 30/60A | ## |
| 5 | 05-3060061 | 60061 | Gasverteiler 60/120A | Gas distributor 60/120A | ## |
| 6 | 05-3051470 | 51470 | Düse, Schneiden, Luft/N ₂ 30A | Tip, cutting, Air/N ₂ 30A | ## |
| | 05-3051471 | 51471 | Düse, Schneiden, Luft/N ₂ 40A | Tip, cutting, Air/N ₂ 40A | ## |
| | 05-3051472 | 51472 | Düse, Schneiden, Luft/N ₂ 50/60A | Tip, cutting, Air/N ₂ 50/60A | ## |
| 7 | 05-3051474 | 51474 | Düse, Schneiden, Luft/N ₂ 60A | Tip, cutting, Air/N ₂ 60A | ## |
| | 05-3051475 | 51475 | Düse, Schneiden, Luft/N ₂ 70A | Tip, cutting, Air/N ₂ 70A | ## |
| | 05-3051476 | 51476 | Düse, Schneiden, Luft/N ₂ 80A | Tip, cutting, Air/N ₂ 80A | ## |
| | 05-3051477 | 51477 | Düse, Schneiden, Luft/N ₂ 90/100A | Tip, cutting, Air/N ₂ 90/100A | ## |
| | 05-3051478 | 51478 | Düse, Schneiden, Luft/N ₂ 120A | Tip, cutting, Air/N ₂ 120A | ## |
| 8 | 05-109-7501E | 60442 | Feder | Coil spring | ## |
| 9 | 05-3060480 | 60480 | Düsenhalter 30/60A | Shield cap 30/60A | ## |
| | 05-3060480S | 60480/S | Düsenhalter 30/60A Maximum Life | Shield cap 30/60A Maximum Life | ## |
| 10 | 05-3060481 | 60481 | Düsenhalter 60/120A | Shield cap 60/120A | ## |
| | 05-3060481S | 60481/S | Düsenhalter 60/120A Maximum Life | Shield cap 60/120A Maximum Life | ## |
| 11 | 05-029041-01 | 07215 | Brennerrohr f. Maschinenbrenner | Handle - machine torch | ## |
| 12 | 05-3007924 | 07924 | HF-Isolator (zum Zünden mit HF) | HF-Isolator (with HF ignition) | ## |
| 13 | 05-3051480 | 51480 | Kontaktdüse, Luft/N ₂ 30A | Contact Tip, Air/N ₂ 30A | ## |
| | 05-3051481 | 51481 | Kontaktdüse, Luft/N ₂ 40A | Contact Tip, Air/N ₂ 40A | ## |
| | 05-3051482 | 51482 | Kontaktdüse, Luft/N ₂ 50/60A | Contact Tip, Air/N ₂ 50/60A | ## |
| 14 | 05-3051484 | 51484 | Kontaktdüse, Luft/N ₂ 60A | Contact Tip, Air/N ₂ 60A | ## |
| | 05-3051485 | 51485 | Kontaktdüse, Luft/N ₂ 70A | Contact Tip, Air/N ₂ 70A | ## |
| | 05-3051486 | 51486 | Kontaktdüse, Luft/N ₂ 80A | Contact Tip, Air/N ₂ 80A | ## |
| | 05-3051487 | 51487 | Kontaktdüse, Luft/N ₂ 90/100A | Contact Tip, Air/N ₂ 90/100A | ## |
| | 05-3051488 | 51488 | Kontaktdüse, Luft/N ₂ 120A | Contact Tip, Air/N ₂ 120A | ## |
| 15 | 05-3060482 | 60482 | Düsenhalter body 30/60A | Shield cap body 30/60A | ## |
| | 05-3060482S | 60482/S | Düsenhalter body 30/60A Max. Life | Shield cap body 30/60A Max. Life | ## |
| 16 | 05-3060483 | 60483 | Düsenhalter body 60/120A | Shield cap body 60/120A | ## |
| | 05-3060483S | 60483/S | Düsenhalter body 60/120A Max. Life | Shield cap body 60/120A Max. Life | ## |
| 17 | 05-3060487 | 60487 | Düsenhalter Hand 30/60A | Shield cap hand 30/60A | ## |
| 18 | 05-3060488 | 60488 | Düsenhalter Hand 60/120A | Shield cap hand 60/120A | ## |