

PASSEND FÜR / SUITABLE FOR:

KJELLBERG®

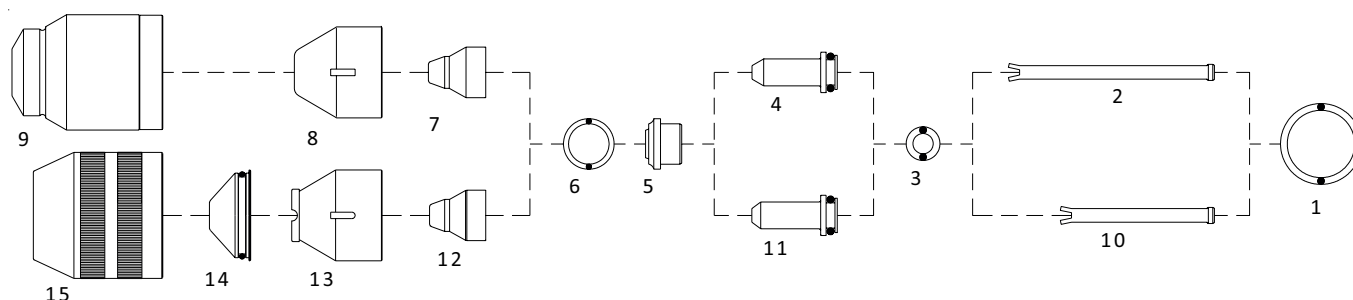
PA-S47CNC® - FineFocus 450®

PB-S20W/WH® PB-S25W/WH®

PBS40W/WH® PB-S45W/WH®

PB-S45W/WH-1®

PZ-S45W®



Item	Bestell-Nr./Order No.	Ref.	Bezeichnung	Description	Euro
1	05-1310575052	.10.575.052	O-Ring 20x2 Silikon (20 Stk)	O-Ring 20x2 Silicone (20 pcs.)	##
2	05-1311832201152	.11.832.201.152	Kühlrohr	Cooling tube	##
3	05-1310505827	.10.505.827	O-Ring Silikon (20 Stk)	O-Ring Silicone (20 pcs.)	##
4	05-13118343213001	11.834.321.3001AG	Elektrode Kb-XI O ₂ - Silber	Electrode Kb-XI O ₂ Solid Silver	##
5	05-1311834321153	.11.834.321.153	Swirl Ring (Vespe) Z111	Swirl ring (Vespe) Z111	##
6	05-1310575036	.10.575.036	O-Ring 12x1,5 Silikon (10 Stk)	O-Ring 12x1.5 Silicone(10pcs.)	##
7	05-1311828203410	.11.828.203.410	Düse Lle-XI Ø 1,0, O ₂	Nozzle Lle-XI Ø 1.0, O ₂	##
	05-1311828203413	.11.828.203.413	Düse Lle-XI Ø 1,3, O ₂	Nozzle Lle-XI Ø 1.3, O ₂	##
	05-1311828203414	.11.828.203.414	Düse Lle-XI Ø 1,4, O ₂	Nozzle Lle-XI Ø 1.4, O ₂	##
8	05-1311830301151	.11.830.301.151	Düsenhalter Ø 9,6	Retaining cap Ø 9.6	##
9	05-1311828101160	.11.828.101.160	Düsenhalter	Nozzle retaining cup	##
10	05-1311828001152	.11.828.001.152	Kühlrohr	Cooling tube	##
11	05-13118343213001	.11.834.321.3001	Elektrode Silber	Electrode silver	##
12	05-1311834321410	.11.834.321.410	Düse Lle-XI Ø 1,0, O ₂	Nozzle Lle-XI Ø 1.0, O ₂	##
	05-1311834321413	.11.834.321.413	Düse Lle-XI Ø 1,3, O ₂	Nozzle Lle-XI Ø 1.3, O ₂	##
	05-1311834321414	.11.834.321.414	Düse Lle-XI Ø 1,4, O ₂	Nozzle Lle-XI Ø 1.4, O ₂	##
13	05-1311832201160	.11.832.201.160	Düsenhalter	Nozzle retaining cup	##
14	05-13118322011561	.11.832.201.1561	Wirbelgaskappe Ø 3.0 W4130	Shield Ø 3.0 W4130	##
	05-13118322011571	.11.832.201.1571	Wirbelgaskappe Ø 4.0 W4140	Shield Ø 4.0 W4140	##
15	05-1311832201081	.11.832.201.081	Schutzkappe	Shield Cup	##

PASSEND FÜR / SUITABLE FOR:

KJELLBERG®

HiFocus 80i®

Torch PerCut 80®

PerCut 90®



Item	Bestell-Nr./Order No.	Ref.	Bezeichnung	Description	Euro
1	05-1311845401300	11.845.401.300	Elektrode M001 Luft	Cathode M001 Air	##
	05-1311845501300	11.845.501.300	Elektrode M011 Luft	Cathode M011 Air	##
2	05-1311845421310	11.845.421.310	Elektrode O ₂ X1 M002 – Silber	Electrode O ₂ X1 M002 – Solid Silver	##
	05-1311845521310	11.845.521.310	Elektrode O ₂ X1 M012 – Silber	Electrode O ₂ X1 M012 – Solid Silver	##
3	05-1311835221153	11.835.221.153	Swirl ring Z101 - 3 Löcher (vespel®)	Swirl ring Z101 - 3 holes (vespel®)	##
	05-1311835221154	11.835.221.154	Swirl ring Z102 - 2 Löcher (vespel®)	Swirl ring Z102 - 2 holes (vespel®)	##
	05-1311834321153	11.834.321.153	Swirl Ring Vespel Z111	Swirl ring (Vespel) Z111	##
	05-1311835421303	11.835.421.303	Abstandshalter Z111A (vespel®)	Spacer ring Z111A (vespel®)	##
4	05-1311845421406	11.845.421.406	Düse Ø 0,6 M2006	Nozzle Ø 0.6 M2006	##
	05-1311845421407	11.845.421.407	Düse Ø 0,7 M2007	Nozzle Ø 0.7 M2007	##
	05-1311845421408	11.845.421.408	Düse Ø 0,8 M2008	Nozzle Ø 0.8 M2008	##
	05-1311845421409	11.845.421.409	Düse Ø 0,9 M2009	Nozzle Ø 0.9 M2009	##
	05-1311845421410	11.845.421.410	Düse Ø 1,0 M2010	Nozzle Ø 1.0 M2010	##
	05-1311845521412	11.845.521.412	Düse Ø 1,2 M2012	Nozzle Ø 1.2 M2012	##
5	05-1311845401160	11.845.401.160	Düsenhalter M3004 - ø 0,4mm "OEM"	Retaining cap M3004 - ø 0,4mm "OEM"	##
	05-1311845401162	11.845.401.162	Düsenhalter M3008 - ø 0,8mm "OEM"	Retaining cap M3008 - ø 0,8mm "OEM"	##
	05-13118454011622	11.845.401.1622	Düsenhalter M3028 - ø 0,8mm "OEM"	Retaining cap M3028 - ø 0,8mm "OEM"	##
6	05-13118352011561	11.835.201.1561	Wirbelgaskappe Ø 1,5 Z4015	Shield Ø 1.5 Z4015	##
	05-13118352011571	11.835.201.1571	Wirbelgaskappe Ø 2,0 Z4020	Shield Ø 2.0 Z4020	##
	05-13118352011551	11.835.201.1551	Wirbelgaskappe Ø 2,2 Z4022	Shield Ø 2.2 Z4022	##
	05-13118352011581	11.835.201.1581	Wirbelgaskappe Ø 2,5 Z4025	Shield Ø 2.5 Z4025	##
	05-13118352011591	11.835.201.1591	Wirbelgaskappe Ø 3,0 Z4030	Shield Ø 3.0 Z4030	##
	05-13118354011571	11.835.401.1571	Wirbelgaskappe Ø 4,0 Z4140	Shield Ø 4.0 Z4140	##
7	05-1311835201081	11.835.201.081	Spritzschutz Z501	Shield Cup	##

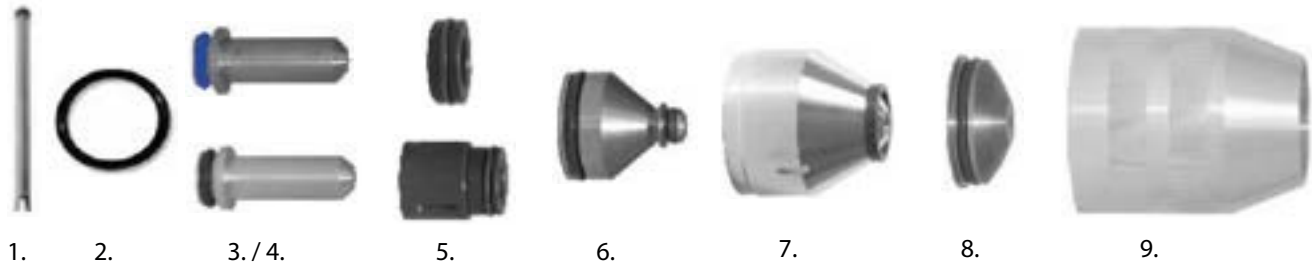
PASSEND FÜR / SUITABLE FOR:

KJELLBERG®

HiFocus 100®

Torch PerCut 100®

PerCut 101®



Item	Bestell-Nr./Order No.	Ref.	Bezeichnung	Description	Euro
1	05-1311835201152	11.835.201.152	Kühlrohr PerCut 100®	Cooling Tube PerCut 100®	##
2	05-1310575052	10.575.052	O-Ring 20x2 Silikon	O-Ring 20x2 Silikon	##
	05-1310505946	10.505.946	O-Ring 36x2 Silikon	O-Ring 36x2 Silikon	##
3	05-13118352213101	11.835.221.3101	Elektrode Z002 - XL	Cathode Z002 - XL	##
4	05-13118354213101	11.835.421.3101	Elektrode Z012 - XL	Cathode Z012 - XL	##
5	05-1311834321153	.11.834.321.153	Swirl Ring (Vespe®) Z111	Swirl ring ((Vespe®)) Z111	##
	05-1311835421303	.11.835.421.303	Abstandshalter (Vespe®) Z111A	Spacer ring (Vespe®) Z111A	##
	05-1311835221153	.11.835.221.153	Swirl ring - Vespe® Z101	Swirl ring - Vespe® Z101	##
6	05-1311835221406	.11.835.221.406	Düse Ø 0,6 O ₂ Z2006 (XF)	Nozzle Ø 0.6 O ₂ Z2006 (XF)	##
	05-1311835221407	.11.835.221.407	Düse Ø 0,7 O ₂ Z2007 (XF)	Nozzle Ø 0.7 O ₂ Z2007 (XF)	##
	05-1311835221408	.11.835.221.408	Düse Ø 0,8 O ₂ Z2008 (XF)	Nozzle Ø 0.8 O ₂ Z2008 (XF)	##
	05-1311835221409	.11.835.221.409	Düse Ø 0,9 O ₂ Z2009 (XF)	Nozzle Ø 0.9 O ₂ Z2009 (XF)	##
	05-1311835221410	.11.835.221.410	Düse Ø 1,0 O ₂ Z2010 (XF)	Nozzle Ø 1.0 O ₂ Z2010 (XF)	##
	05-1311835221411	.11.835.221.411	Düse Ø 1,1 O ₂ Z2011 (XF)	Nozzle Ø 1.1 O ₂ Z2011 (XF)	##
	05-1311835221412	.11.835.221.412	Düse Ø 1,2 O ₂ Z2012 (XF)	Nozzle Ø 1.2 O ₂ Z2012 (XF)	##
	05-1311835421412	.11.835.421.412	Düse Ø 1,2 O ₂ Z2112 (XF)	Nozzle Ø 1.2 O ₂ Z2112 (XF)	##
	05-1311835421414	.11.835.421.414	Düse Ø 1,4 O ₂ Z2114 (XF)	Nozzle Ø 1.4 O ₂ Z2114 (XF)	##
7	05-1311835201160	.11.835.201.160	Düsenhalter Ø 0,4 Z3004	Nozzle retaining cup Ø 0.4 Z3004	##
	05-1311835201162	.11.835.201.162	Düsenhalter Ø 0,8 Z3008	Nozzle retaining cup Ø0.8 Z3008	##
8	05-13118352011561	.11.835.201.1561	Wirbelgaskappe Ø 1,5 Z4015	Shield Ø 1.5 Z4015	##
	05-13118352011571	.11.835.201.1571	Wirbelgaskappe Ø 2,0 Z4020	Shield Ø 2.0 Z4020	##
	05-13118352011551	.11.835.201.1551	Wirbelgaskappe Ø 2,2 Z4022	Shield Ø 2.2 Z4022	##
	05-13118352011581	.11.835.201.1581	Wirbelgaskappe Ø 2,5 Z4025	Shield Ø 2.5 Z4025	##
	05-13118352011591	.11.835.201.1591	Wirbelgaskappe Ø 3,0 Z4030	Shield Ø 3.0 Z4030	##
	05-13118354011571	.11.835.401.1571	Wirbelgaskappe Ø 4,0 Z4140	Shield Ø 4.0 Z4140	##
7	05-1311835201081	.11.835.201.081	Spritzschutz Z501	Shield Cup	##

PASSEND FÜR / SUITABLE FOR:

KJELLBERG®

HiFocus 130i®, HiFocus 160i®

Torch PerCut 160®

PerCut 170®



Item	Bestell-Nr./Order No.	Ref.	Bezeichnung	Description	Euro
1	05-1311842401152	.11.842.401.152	Kühlrohr	Cooling tube	##
1	05-1310505946	.10.505.946	O-Ring 36x2 Silicone (10 Stck)	O-Ring 36x2 Silicone (10 pcs.)	##
2	05-1310575052	.10.575.052	O-Ring 20x2 Silicone (10 Stck)	O-Ring 20x2 Silicone (10 pcs.)	##
3	05-1311842421310	.11.843.021.310	Elektrode S002Y Silber	Electrode S002Y - Solid Silver	##
4	05-1311843121310	.11.843.121.310	Elektrode S012X Silber	Electrode S012X - Solid Silver	##
5	05-1311835221153	.11.835.221.153	Swirl ring Z101 - 3 Löcher (vespel®)	Swirl ring Z101 - 3 holes (vespel®)	##
	05-1311835221154	.11.835.221.154	Swirl ring Z102 - 2 Löcher (vespel®)	Swirl ring Z102 - 2 holes (vespel®)	##
	05-1311834321153	.11.834.321.153	Swirl Ring Vespel Z111	Swirl ring (Vespel) Z111	##
	05-1311835421303	.11.835.421.303	Abstandshalter Z111A (vespel®)	Spacer ring Z111A (vespel®)	##
6	05-1311843021406	.11.843.021.406	Düse Ø 0,6 S2006X 25A (XF)	Nozzle Ø 0.6 S2006X 25A (XF)	##
	05-1311843021407	.11.843.021.407	Düse Ø 0,7 S2007X 35A (XF)	Nozzle Ø 0.7 S2007X 35A (XF)	##
	05-1311843021408	.11.843.021.408	Düse Ø 0,8 S2008X 50A (XF)	Nozzle Ø 0.8 S2008X 50A (XF)	##
	05-1311843021409	.11.843.021.409	Düse Ø 0,9 S2009X 70A (XF)	Nozzle Ø 0.9 S2009X 70A (XF)	##
	05-1311843021410	.11.843.021.410	Düse Ø 1,0 S2010X 80A (XF)	Nozzle Ø 1.0 S2010X 80A (XF)	##
	05-1311843021411	.11.843.021.411	Düse Ø 1,1 S2011X 90A (XF)	Nozzle Ø 1.1 S2011X 90A (XF)	##
	05-1311843021412	.11.843.021.412	Düse Ø 1,2 S2012X 100A(XF)	Nozzle Ø 1.2 S2012X 100A(XF)	##
	05-1311843021414	.11.843.021.414	Düse Ø 1,4 S2014X 130A(XF)	Nozzle Ø 1.4 S2014X 130A(XF)	##
	05-1311843021416	.11.843.021.416	Düse Ø 1,6 S2016X 160A(XF)	Nozzle Ø 1.6 S2016X 160A(XF)	##
	05-1311843121412	.11.843.121.412	Düse Ø 1,2 S2112X 100A(XF)	Nozzle Ø 1.2 S2112X 100A(XF)	##
	05-1311843121414	.11.843.121.414	Düse Ø 1,4 S2114X 130A(XF)	Nozzle Ø 1.4 S2114X 130A(XF)	##
	05-1311843121416	.11.843.121.416	Düse Ø 1,6 S2116X 160A(XF)	Nozzle Ø 1.6 S2116X 160A(XF)	##
7	05-1311842401160	.11.842.401.160	Düsenhalter Ø 0,4 S3004	Nozzle retaining cup Ø 0.4 S3004	##
	05-1311842401162	.11.842.401.162	Düsenhalter Ø 0,8 S3008	Nozzle retaining cup Ø 0.8 S3008	##
	05-13118424011622	.11.842.401.1622	Düsenhalter Ø 0,8 S3028	Nozzle retaining cup Ø 0.8 S3028	##
8	05-13118352011561	.11.835.201.1561	Wirbelgaskappe Ø 1,5 Z4015	Shield Ø 1.5 Z4015	##
	05-13118352011571	.11.835.201.1571	Wirbelgaskappe Ø 2,0 Z4020	Shield Ø 2.0 Z4020	##
	05-13118352011551	.11.835.201.1551	Wirbelgaskappe Ø 2,2 Z4022	Shield Ø 2.2 Z4022	##
	05-13118352011581	.11.835.201.1581	Wirbelgaskappe Ø 2,5 Z4025	Shield Ø 2.5 Z4025	##
	05-13118352011591	.11.835.201.1591	Wirbelgaskappe Ø 3,0 Z4030	Shield Ø 3.0 Z4030	##
	05-13118354011571	.11.835.401.1571	Wirbelgaskappe Ø 4,0 Z4140	Shield Ø 4.0 Z4140	##
7	05-1311835201081	.11.835.201.081	Spritzschutz Z501	Shield Cup	##

PASSEND FÜR / SUITABLE FOR:

KJELLBERG®

HiFocus 160i®

Torch PERCUT160 3D®



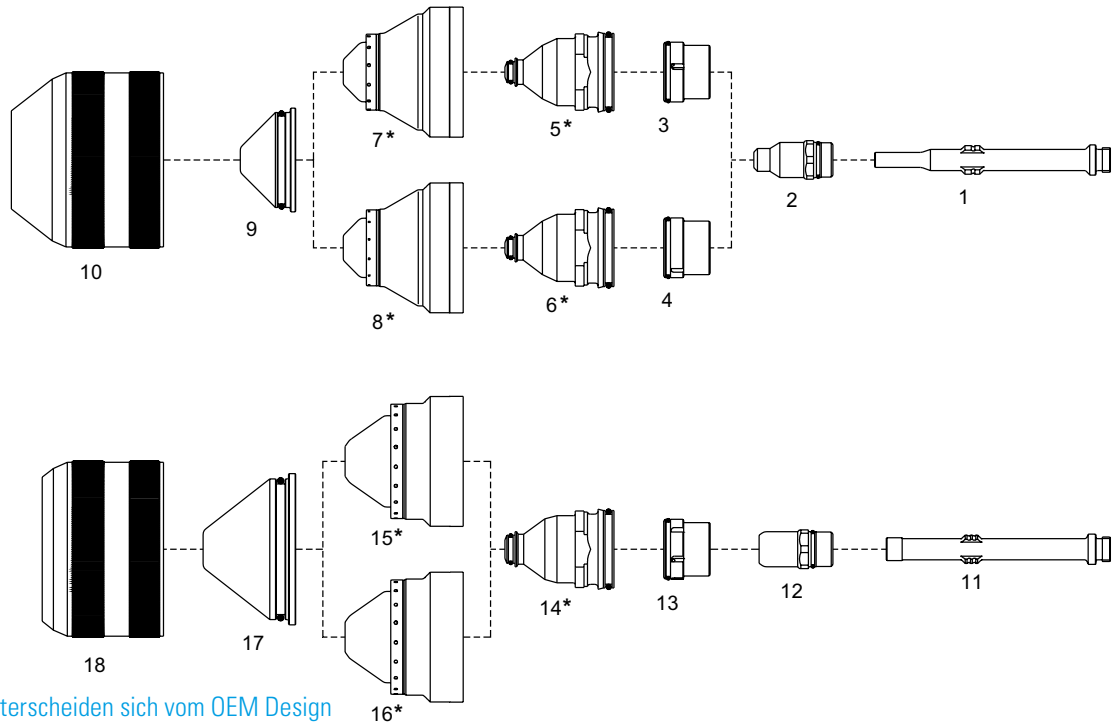
Item	Bestell-Nr. / Order No.	Ref.	Bezeichnung	Description	Euro
1	05-1311846621310	.11.846.621.310	Elektrode R002 - XL (3D)	Cathode R002 - XL (3D)	##
	05-1311846621310	.11.846.721.310	Elektrode R012 - XL (3D)	Cathode R012 - XL (3D)	##
2	05-1311846621310SB	.11.846.621.310SB	Elektrode R002 - XL (3D) / SilverBOOST®	Cathode R002 - XL (3D) / SilverBOOST®	##
3	05-1311835221153	.11.835.221.153	Swirl ring Z101 (Vespel®)	Swirl ring Z101 (Vespel®)	##
	05-1311835221154	.11.835.221.154	Swirl ring Z102 (Vespel®)	Swirl ring Z102 (Vespel®)	##
	05-1311834321153	.11.834.321.153	Swirl ring Z111 (Vespel®)	Swirl ring Z111 (Vespel®)	##
	05-1311835421303	.11.835.421.303	Spacer ring Z111A (Vespel®)	Spacer ring Z111A (Vespel®)	##
4	05-1311842621406	.11.842.621.406	Düse Ø 0,6 R2006 25A	Nozzle Ø 0.6 R2006 25A	##
	05-1311842621407	.11.842.621.407	Düse Ø 0,7 R2007 35A	Nozzle Ø 0.7 R2007 35A	##
	05-1311842621408	.11.842.621.408	Düse Ø 0,8 R2008 50A	Nozzle Ø 0.8 R2008 50A	##
	05-1311842621409	.11.842.621.409	Düse Ø 0,9 R2009 70A	Nozzle Ø 0.9 R2009 70A	##
	05-1311842621410	.11.842.621.410	Düse Ø 1,0 R2010 80A	Nozzle Ø 1.0 R2010 80A	##
	05-1311842621411	.11.842.621.411	Düse Ø 1,1 R2011 90A	Nozzle Ø 1.1 R2011 90A	##
	05-1311842621412	.11.842.621.412	Düse Ø 1,2 R2012 100A	Nozzle Ø 1.2 R2012 100A	##
	05-1311842621414	.11.842.621.414	Düse Ø 1,4 R2014 130A	Nozzle Ø 1.4 R2014 130A	##
	05-1311842621416	.11.842.621.416	Düse Ø 1,6 R2016 160A	Nozzle Ø 1.6 R2016 160A	##
	05-1311842721412	.11.842.721.412	Düse Ø 1,2 R2112 100A	Nozzle Ø 1.2 R2112 100A	##
05-1311842721414	.11.842.721.414	Düse Ø 1,4 R2114 130A	Nozzle Ø 1.4 R2114 130A	##	
05-1311842721416	.11.842.721.416	Düse Ø 1,6 R2116 160A	Nozzle Ø 1.6 R2116 160A	##	
5	05-1311842501160	.11.842.501.160	Düsenhalter Ø 0,4 R3004 OEM	Nozzle retaining cup Ø 0.4 R3004 OEM	##
	05-1311842601162	.11.842.601.162	Düsenhalter Ø 0,8 R3008 OEM	Nozzle retaining cup Ø 0.8 R3008 OEM	##
	05-13118426011622	.11.842.601.1621	Düsenhalter Ø 0,8 R3018 OEM	Nozzle retaining cup Ø 0.8 R3018 OEM	##
	05-13118426011622	.11.842.601.1622	Düsenhalter Ø 0,8 R3028 OEM	Nozzle retaining cup Ø 0.8 R3028 OEM	##
6	05-1311842601157	.11.842.601.157	Wirbelgaskappe Ø 2,0 R4020	Shield Ø 2.0 R4020	##
	05-1311842601155	.11.842.601.155	Wirbelgaskappe Ø 2,2 R4022	Shield Ø 2.2 R4022	##
	05-1311842601158	.11.842.601.158	Wirbelgaskappe Ø 2,5 R4025	Shield Ø 2.5 R4025	##
	05-1311842701158	.11.842.701.158	Wirbelgaskappe Ø 3,0 R4030	Shield Ø 3.0 R4030	##
	05-1311842701159	.11.842.701.159	Wirbelgaskappe Ø 4,0 R4140	Shield Ø 4.0 R4140	##
7	05-1311835201081	.11.835.201.081	Spritzschutz Z501	Shield cap Z501	##

PASSEND FÜR / SUITABLE FOR:

KJELLBERG®

HiFocus 280i®
 HiFocus 360i®
 HiFocus 440i®
 PerCut 210M®
 PerCut 450M®

Baustahl – Mild Steel



* Die markierten Teile unterscheiden sich vom OEM Design

* Different to OEM Design

Item	Bestell-Nr./Order No.	Ref.	Bezeichnung	Description	Euro
1	05-1311848201142	.11.848.201.142	Kühlrohr G901Y 20-200A	Cooling Tube G901Y 20-200A	##
2	05-1311848221300	.11.848.221.300	Elektrode G002Y 20-200A Silber	Electrode G002Y 20-200A Silver	##
3	05-1311848221145	.11.848.221.145	Swirl Ring G101 20-35A	Swirl ring G101 20-35A	##
4	05-1311848221146	.11.848.221.146	Swirl Ring G102 60-200A	Swirl ring G102 60-200A	##
5*	05-1311848221406	.11.848.221.406	Düse Ø 0,6 G2006Y 20A	Nozzle Ø 0.6 G2006Y 20A	##
	05-1311848221407	.11.848.221.407	Düse Ø 0,7 G2007Y 35A	Nozzle Ø 0.7 G2007Y 35A	##
6*	05-1311848221408	.11.848.221.408	Düse Ø 0,8 G2008Y 60A	Nozzle Ø 0.8 G2008Y 60A	##
	05-1311848221410	.11.848.221.410	Düse Ø 1,0 G2010Y 90A	Nozzle Ø 1.0 G2010Y 90A	##
	05-1311848221412	.11.848.221.412	Düse Ø 1,2 G2012Y 130A	Nozzle Ø 1.2 G2012Y 130A	##
	05-1311848221414	.11.848.221.414	Düse Ø 1,4 G2014Y 160A	Nozzle Ø 1.4 G2014Y 160A	##
	05-1311848221417	.11.848.221.417	Düse Ø 1,7 G2017Y 200A	Nozzle Ø 1.7 G2017Y 200A	##
7*	05-13118482011604	.11.848.201.1604	Düsenhalter G3004 20-35A	Retaining cup G3004 20-35A	##
8*	05-13118482011628	.11.848.201.1628	Düsenhalter G3028 60-200A	Retaining cup G3028 60-200A	##
9*	05-13118482011515	.11.848.201.1515	Wirbelgaskappe Ø 1,5 G4015 20A	Shield Ø 1.5 G4015 20A	##
	05-13118482011520	.11.848.201.1520	Wirbelgaskappe Ø 2,0 G4020 35/60A	Shield Ø 2.0 G4020 35/60A	##
	05-13118482011522	.11.848.201.1522	Wirbelgaskappe Ø 2,2 G4022 130A	Shield Ø 2.2 G4022 130A	##
	05-13118482011525	.11.848.201.1525	Wirbelgaskappe Ø 2,5 G4025 90A	Shield Ø 2.5 G4025 90A	##
	05-13118482011530	.11.848.201.1530	Wirbelgaskappe Ø 3,0 G4030 90/200A	Shield Ø 3.0 G4030 90/200A	##
10	05-1311848201081	.11.848.201.081	Schutzkappe G501	Shield Cap G501	##
11	05-1311848401142	.11.848.401.142	Kühlrohr G931Y 280A	Cooling Tube G931Y 280A	##
12	05-1311848421310	.11.848.421.310	Elektrode G032Y 280A Silber	Electrode G032Y 280A Silver	##
13	05-1311848421145	.11.848.421.145	Swirl Ring G121 280A	Swirl ring G121 280A	##
14*	05-1311848421426	.11.848.421.426	Düse Ø 2,6 G2326Y 280A	Nozzle Ø 2.6 G2326Y 280A	##
15*	05-13118484011649	.11.848.401.1649	Düsenhalter G3249 280A 6-25mm	Retaining cup G3249 280A 6-25mm	##
16*	05-13118484011619	.11.848.401.1619	Düsenhalter G3219 280A 30-70mm	Retaining cup G3219 280A 30-70mm	##
17	05-13118484011550	.11.848.401.1550	Wirbelgaskappe Ø 5,0 G4350 280A	Shield Ø 5.0 G4350 280A	##
18	05-1311848401081	.11.848.401.081	Schutzkappe G521	Shield Cap G521	##

PASSEND FÜR / SUITABLE FOR:

KJELLBERG®

PA-50®

PA-S75®

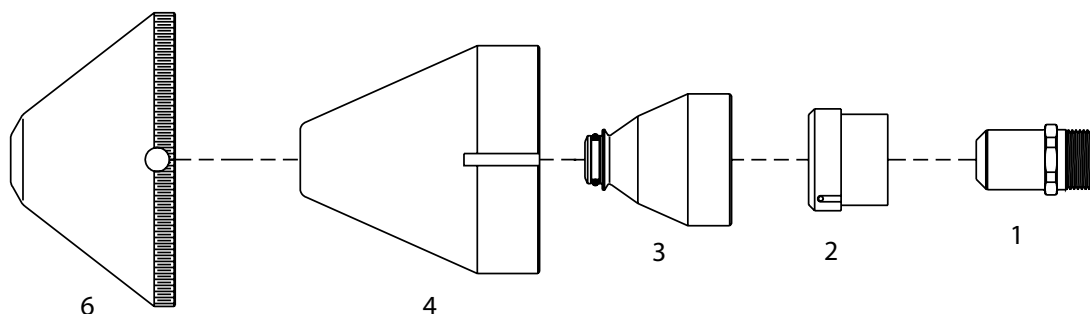
PA-S76®

PB-S77®

FINEFOCUS 800®

FINEFOCUS 900®

FINEFOCUS 1600®



Item	Bestell-Nr./Order No.	Ref.	Bezeichnung	Description	Euro
1	05-1311844921300	.11.844.921.300	Elektrode T012Y Silber	Electrode T012Y Silver	##
2	05-1311836921154	.11.836.921.154	Swirl Ring T102 Teflon	Swirl ring T102 Teflon	##
	05-1311836921153	.11.836.921.153	Swirl Ring T101 Teflon	Swirl ring T101 Teflon	##
3	05-1311846921415	.11.846.921.415	Düse T2115Y 120A	Nozzle T2115Y 120A	##
	05-1311846921420	.11.846.921.420	Düse T2120Y 200A	Nozzle T2120Y 200A	##
	05-1311846921425	.11.846.921.425	Düse T2125Y 250A	Nozzle T2125Y 250A	##
	05-1311846921427	.11.846.921.427	Düse T2127Y 300A	Nozzle T2127Y 300A	##
	05-1311846921430	.11.846.921.430	Düse T2130Y 360A	Nozzle T2130Y 360A	##
	4	05-1311836901163	.11.836.901.163	Düsenhalter T3030 -30°CW	Retaining cap T3030 -30°CW
05-1311836901164		.11.836.901.164	Düsenhalter T3045 -45°CW	Retaining cap T3045 -45°CW	##
6	05-1311833101150	.11.833.101.150	Spritzschutz Ø 3,0 V4330	Shield cap Ø 3.0 V4330	##
	05-1311833101155	.11.833.101.155	Spritzschutz Ø 3,5 V4335	Shield cap Ø 3.5 V4335	##
	05-1311833101156	.11.833.101.156	Spritzschutz Ø 4,0 V4340	Shield cap Ø 4.0 V4340	##
	05-1311833101157	.11.833.101.157	Spritzschutz Ø 4,5 V4345	Shield cap Ø 4.5 V4345	##
	05-1311833101158	.11.833.101.158	Spritzschutz Ø 5,0 V4350	Shield cap Ø 5.0 V4350	##
	05-1311833101159	.11.833.101.159	Spritzschutz Ø 6,0 V4360	Shield cap Ø 6.0 V4360	##