

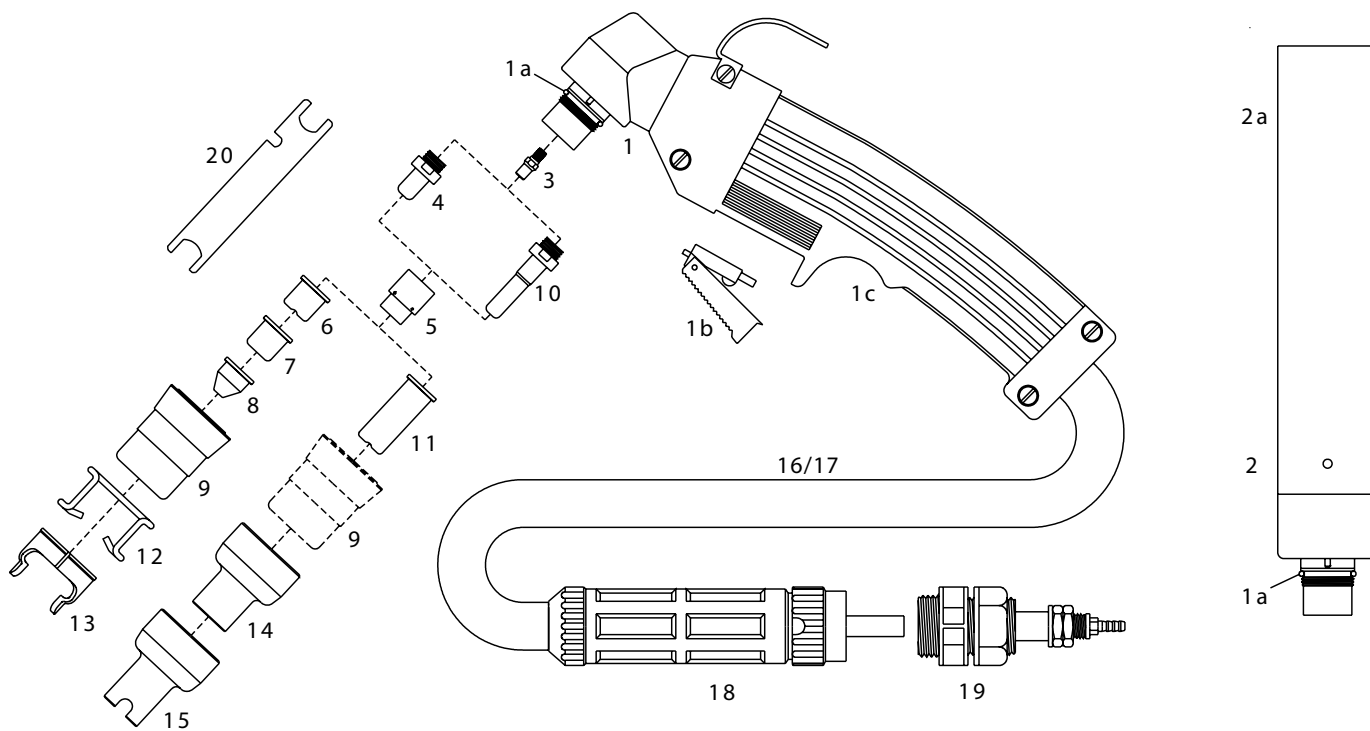
PASSEND FÜR / SUITABLE FOR:

EWS® LINCOLN®

EX 40 - 2V - EX 60 - PC65

Technische Daten / Technical Data:

| | |
|--|---|
| Sicherheitssystem / Safety system: | Elektrisch / Electrical |
| Zündung / Ignition: | Pilotlichtbogen mit HF-Zündung / Pilot arc with HF-ignition |
| Schneidleistung / Cutting performance: | 70A bei 60 % Einschaltdauer / 70A at 60 % duty cycle |
| Luftversorgung / Air supply: | Saubere, trockene Luft, 4,5 bar – 220 l/min Pure, dry air, 4,5 bar – 220 l/min |
| Nachströmzeit / Post flow time: | Ca. 90 s empfohlen / Ca. 90 s recommended |



Original-Brenner und -Verschleißteile auf Anfrage (Blisterverpackung).
 OEM torches and consumables on request (blister packaging).

PASSEND FÜR / SUITABLE FOR:

EWS® LINCOLN®

EX 40 - 2V - EX 60 – PC65

| Item | Bestell-Nr./Order No. | Ref. | Bezeichnung | Description | Euro |
|-------|-----------------------|----------|------------------------------|--|------|
| | 05-001573-03 | W0400030 | Handbrenner 6 m ZA | Hand torch 6 m (central connector) | ## |
| | 05-001573-04 | | Handbrenner 12 m ZA | Hand torch 12 m (central connector) | ## |
| | 05-001566-01 | W0400046 | Maschinenbrenner 6 m ZA | Machine torch 6 m (central connector) | ## |
| | 05-001566-20 | W0400033 | Maschinenbrenner 12 m ZA | Machine torch 12 m (central connector) | ## |
| 1 | 05-001351-01 | W0300100 | Handbrennerkopf | Hand torch head | ## |
| 1a | 05-001731-01 | W0300101 | O-Ring | O-Ring | ## |
| 1b | 05-001758-02 | W0300103 | Schalter | Switch | ## |
| 1c | 05-001758-01 | W0300102 | Handgriff mit Druckknopf | Handgrip with microswitch | ## |
| 2 | 05-001349-01 | W0300148 | Maschinenbrennerkopf | Machine torch head | ## |
| 2a | 05-001774-01 | W0300144 | Führungsrohr | Machine handle | ## |
| 3 | 05-001732-01 | W0300104 | Diffusor | Diffusor | ## |
| 4 | 05-001402-02 | W0300105 | Elektrode | Electrode | ## |
| 5 | 05-001511-01 | W0300106 | Swirl Ring | Swirl ring | ## |
| 6 | 05-001309-01 | W0300155 | Düse, Ø 0,9 - 35A | Tip Ø 0.9 - 35A | ## |
| | 05-001396-01 | W0300107 | Düse, Long Life Ø 1,0 - 50A | Tip Long Life Ø 1.0 - 50A | ## |
| | 05-001396-02 | W0300192 | Düse, Long Life Ø 1,1 - 60A | Tip Long Life Ø 1.1 - 60A | ## |
| | 05-001308-01 | W0300108 | Düse, Long Life Ø 1,2 - 70A | Tip Long Life Ø 1.2 - 70A | ## |
| 7 | 05-027050-01 | W0300149 | Düse, flach Ø 1,0 | Tip flat, Ø 1.0 | ## |
| | 05-027050-02 | W0300150 | Düse, flach Ø 1,2 | Tip flat, Ø 1.2 | ## |
| 8 | 05-001305-01 | W0300151 | Düse, kurz, konisch Ø 1,0 | Pipe saddle tip Ø 1.0 | ## |
| | 05-001305-02 | W0300152 | Düse, kurz, konisch Ø 1,2 | Pipe saddle tip Ø 1.2 | ## |
| 9 | 05-001710-01 | W0300109 | Düsenhalter | Nozzle retaining cap | ## |
| 10 | 05-001403-02 | W0300110 | Elektrode, lang | Extended electrode | ## |
| 11 | 05-001366-01 | W0300236 | Düse lang Ø 0,9 mm - 35A | Extended tip Ø 0.9 - 35A | ## |
| | 05-001395-01 | W0300111 | Düse lang Ø 1,0 mm - 50A | Extended tip long life Ø 1.0 - 50A | ## |
| | 05-001395-03 | W0300237 | Düse lang Ø 1,1 mm - 60A | Extended tip long life Ø 1.1 - 60A | ## |
| | 05-001395-02 | W0300112 | Düse lang Ø 1,2 mm - 70A | Extended tip long life Ø 1.2 - 70A | ## |
| 12 | 05-001394-01 | W0300113 | Abstandsfeder | Spacer spring | ## |
| 13 | 05-001405-01 | W0300114 | Abstandsstück 2 Spitzen | Double pointed spacer | ## |
| 14 | 05-001751-01 | W0300238 | Düsenschutz | Shield cap, hand | ## |
| 15 | 05-001752-01 | W0300239 | Düsenschutz ab 50A | Spacer for contact cutting, hand | ## |
| 16/17 | 05-001715-01 | W0300242 | Kabel, 6 m, Handbr., (1/8") | Cable 6 m, Hand torch (1/8") | ## |
| | 05-001716-01 | W0300243 | Kabel, 12 m, Handbr., (1/8") | Cable 12 m, Hand torch (1/8") | ## |
| 18 | 05-001773-01 | W0300117 | ZA Brennerseite | Central connector torch side | ## |
| 19 | 05-001772-01 | W0300118 | ZA Maschinenseite | Central connector machine side | ## |
| 20 | 05-001733-01 | W0300119 | Elektrodenschlüssel | Wrench for electrode | ## |
| | 05-001668-01 | | Kreisschneidest | Circle Cutting attachment | ## |
| | 05-001669-01 | | Fahrwagen | Cutting Guide | ## |

PASSEND FÜR / SUITABLE FOR:

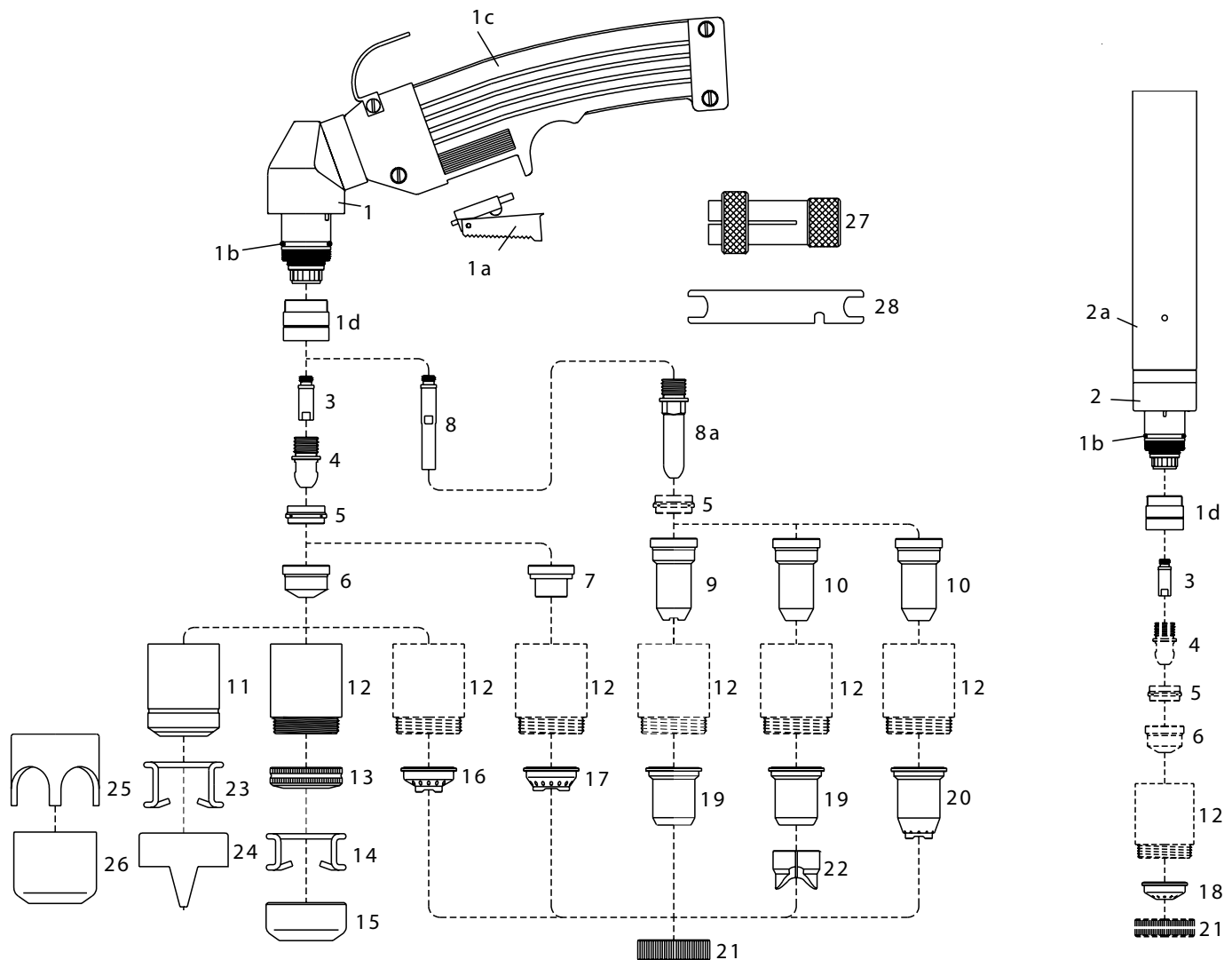
EWS® LINCOLN®

EX 100

PC105

Technische Daten / Technical Data:

| | |
|--|---|
| Sicherheitssystem / Safety system: | Elektrisch / Electrical |
| Zündung / Ignition: | Pilotlichtbogen mit HF-Zündung / Pilot arc with HF-ignition |
| Schneidleistung / Cutting performance: | 100A bei 60 % Einschaltdauer / 100A at 60 % duty cycle |
| Luftversorgung / Air supply: | Saubere, trockene Luft, 4,5 bar – 180 l/min Pure, dry air, 4,5 bar – 180 l/min |
| Nachströmzeit / Post flow time: | Ca. 90 s empfohlen / Ca. 90 s recommended |



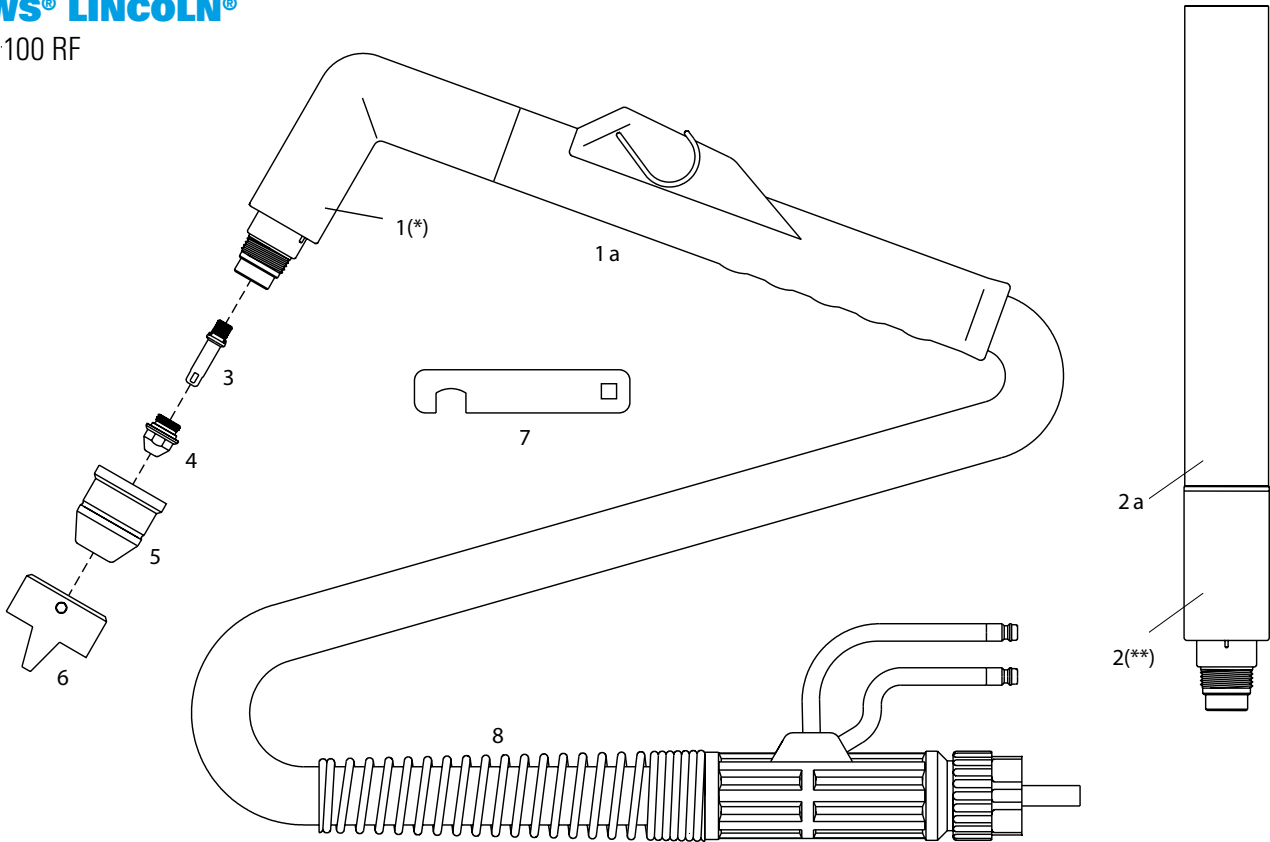
Original-Brenner und -Verschleißteile auf Anfrage (Blisterverpackung).
 OEM torches and consumables on request (blister packaging).

| Item | Bestell-Nr./Order No. | Ref. | Bezeichnung | Description | Euro |
|------|-----------------------|----------|---------------------------------|--|------|
| | 05-001768-06 | W0400052 | Handbrenner 6 m ZA | Hand torch 6 m (central connector) | ## |
| | 05-001768-12 | W0400037 | Handbrenner 12 m ZA | Hand torch 12 m (central connector) | ## |
| | 05-001769-06 | W0400034 | Maschinenbrenner 6 m ZA | Machine torch 6 m (central connector) | ## |
| | 05-001769-12 | W0400035 | Maschinenbrenner 12 m ZA | Machine torch 12 m (central connector) | ## |
| 1 | 05-001795-01 | W0300263 | Handbrennerkopf | Hand torch head | ## |
| 1a | 05-001758-02 | W0300103 | Schalter | Switch | ## |
| 1b | 05-001771-01 | W0300121 | O-Ring | O-Ring | ## |
| 1c | 05-001758-01 | W0300102 | Handgriff mit Druckknopf | Handgrip with microswitch | ## |
| 1d | 05-001736-01 | | Isolierhülse | Front Insulator | ## |
| 2 | 05-001796-01 | W0300143 | Maschinenbrennerkopf | Machine torch head | ## |
| 2a | 05-001774-01 | W0300144 | Führungsrohr | Machine handle | ## |
| 3 | 05-001379-01 | W0300122 | Diffusor | Diffusor | ## |
| 4 | 05-001376-01 | W0300123 | Elektrode | Electrode | ## |
| 5 | 05-001377-01 | W0300124 | Swirl Ring | Swirl ring | ## |
| 6 | 05-001371-01 | | Düse, long life Ø 1,10 | Tip long life Ø 1,10 | ## |
| | 05-001372-01 | W0300174 | Düse, long life Ø 1,35 | Tip long life Ø 1,35 | ## |
| | 05-001373-01 | W0300175 | Düse, long life Ø 1,60 | Tip long life Ø 1,60 | ## |
| | 05-001374-24 | W0300128 | Düse Ø 2.4 Hobeldüse | Gouging tip Ø 2,4 | ## |
| 7 | 05-001781-13 | W0300135 | Kontakt Düse 1.35 | Contact tip Ø 1,35 | ## |
| | 05-001781-16 | W0300137 | Kontakt Düse 1.6 | Contact tip Ø 1,6 | ## |
| 8 | 05-001379-02 | | Diffusor, lang | Extended Diffusor | ## |
| 8a | 05-001517-02 | W0300133 | Elektrode, lang, long life - Hf | Extended electrode, long life - Hf | ## |
| 9 | 05-001369-01 | W0300134 | Kontaktdüse, lang max 50A | Contact extended tip max. 50A | ## |
| 10 | 05-001369-02 | W0300178 | Düse, lang, Ø 1,35 - 90A | Extended tip Ø 1,35 - 90A | ## |
| | 05-001369-03 | W0300179 | Düse, lang, Ø 1,6 - 120A | Extended tip Ø 1,6 - 120A | ## |
| 11 | 05-001713-01 | W0300129 | Düsenhalter | Nozzle retaining cap | ## |
| 12 | 05-001784-01 | W0300138 | Kontaktdüsenhalter, long life | Contact nozzle retaining cap | ## |
| | 05-001785-01 | | Kontaktdüsenhalter, Max life | Contact nozzle retaining cap, Max life | ## |
| 13 | 05-001789-01 | W0300244 | Überwurf - Federträger | Spring holder protection nut | ## |
| 14 | 05-001790-01 | W0300245 | Abstandsfeder | Spacer spring | ## |
| 15 | 05-001407-01 | | Spritzschutz Fugenhobel | Gouging spacer | ## |
| 16 | 05-001791-01 | W0300180 | Düsenschutz Standard | Spacer for contact cutting, hand | ## |
| 17 | 05-001787-01 | | Düsenschutz Kontaktdüse | Spacer for contact cutting, hand | ## |
| 18 | 05-001788-02 | W0300181 | Düsenschutz Standard | Shield cup, machine | ## |
| 19 | 05-001792-01 | W0300182 | Düsenschutz (max 50A) | Shield cup, hand (max. 50A) | ## |
| 20 | 05-001793-01 | W0300183 | Düsenschutz lange Kontaktdüse | Spacer for contact cutting, hand | ## |
| 21 | 05-001794-01 | W0300184 | Überwurfmutter | Locking nut | ## |
| 22 | 05-001793-02 | | Abstandsstück 2 Spitzen | Spacer for extended tips High Amp. | ## |
| 23 | 05-001386-01 | W0300130 | Abstandsfeder | Spacer spring | ## |
| 24 | 05-001408-01 | W0300131 | Abstandsstück 2 Spitzen | Double pointed spacer | ## |
| 25 | 05-001409-01 | W0300177 | Abstandsstück 4 Spitzen | Crown spacer | ## |
| 26 | 05-001406-01 | W0300132 | Spritzschutz für Fugenhobel | Gouging spacer | ## |
| | 05-001717-01 | W0300189 | Brennerkabel, 6 m | Air and power cable 6 m | ## |
| | 05-001718-01 | W0300190 | Brennerkabel, 12 m | Air and power cable 12 m | ## |
| | 05-001773-01 | W0300117 | ZA Brennerseite | Central connector torch side | ## |
| | 05-001772-01 | W0300118 | ZA Maschinenseite | Central connector machine side | ## |
| 27 | 05-001509-01 | W0300142 | Abzieher für Swirl-Ring | Extractor for swirl ring | ## |
| 28 | 05-001733-01 | W0300119 | Elektrodenschlüssel | Wrench for electrode | ## |
| | 05-001690-01 | | Kreisschneidest | Circle Cutting attachment | ## |
| | 05-001691-01 | | Fahrwagen | Cutting Guide | ## |

PASSEND FÜR / SUITABLE FOR:

EWS® LINCOLN®

EX 100 RF



Original-Brenner und -Verschleißteile auf Anfrage (Blisterverpackung).
 OEM torches and consumables on request (blister packaging).

| Item | Bestell-Nr./Order No. | Ref. | Bezeichnung | Description | Euro |
|------|-----------------------|----------|--------------------------|--|------|
| | 05-001912-01 | W0400038 | Handbrenner 6 m ZA | Hand torch 6 m (central connector) | ## |
| | 05-001913-01 | W0400039 | Handbrenner 12 m ZA | Hand torch 12 m (central connector) | ## |
| | 05-001914-01 | W0400040 | Maschinenbrenner 6 m ZA | Machine torch 6 m (central connector) | ## |
| | 05-001915-01 | W0400041 | Maschinenbrenner 12 m ZA | Machine torch 12 m (central connector) | ## |
| 1 | 05-001910-01 | W0300171 | Handbrennerkopf | Hand torch head | ## |
| 1a | 05-001730-01 | W0300172 | Handgriff mit Schalter | Handgrip with microswitch | ## |
| 2 | 05-001911-01 | W0300169 | Maschinenbrennerkopf | Machine torch head | ## |
| 2a | 05-029041-01 | W0300168 | Führungsrohr | Machine handle | ## |
| 3 | 05-043010-01 | W0300160 | Elektrode, Hf, O-Ring | Electrode, w/O-Ring, long life - Hf | ## |
| 4 | 05-043039-01 | W0300163 | Düse Ø 0,8 - 30A | Tip Ø 0.8 - 30A | ## |
| | 05-043040-01 | W0300164 | Düse Ø 1,0 - 50A | Tip Ø 1.0 - 50A | ## |
| | 05-043050-01 | W0300165 | Düse Ø 1,3 - 80A | Tip Ø 1.3 - 80A | ## |
| | 05-043060-01 | W0300161 | Düse Ø 1,6 - 120A | Tip Ø 1.6 - 120A | ## |
| | 05-043060-02 | W0300166 | Düse Ø 1,8 - 150A | Tip Ø 1.8 - 150A | ## |
| 5 | 05-043064-01 | | Düsenhalter Glasfaser | Fiberglass shield cap | ## |
| 6 | 05-043062-01 | W0300265 | Abstandsstück 2 Spitzen | Double pointed spacer | ## |
| 7 | 05-043037-01 | W0300250 | Elektrodenschlüssel | Wrench for tip and electrode | ## |
| 8 | 05-001717-01 | W0300189 | Brennerkabel, 6m | Air and power cable 6 m | ## |
| | 05-001718-01 | W0300190 | Brennerkabel, 12m | Air and power cable 12 m | ## |
| | 05-001635-01 | | Kreisschneidest | Circle Cutting attachment | ## |
| | 05-001636-01 | | Fahrwagen | Cutting Guide | ## |