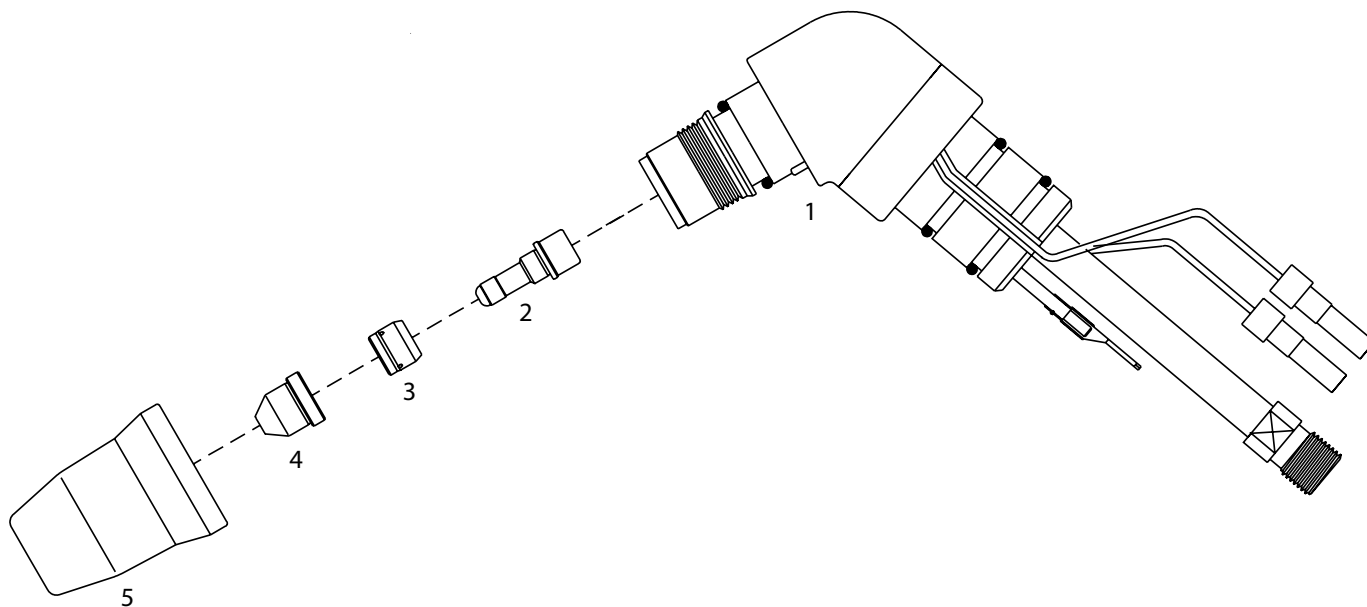


PASSEND FÜR / SUITABLE FOR:

**CEBORA®**

CP-40®



Original-Brenner und -Verschleißteile auf Anfrage.  
 OEM torches and consumables on request.

| Item | Bestell-Nr. / Order No. | Ref. | Bezeichnung | Description                           | Euro                               |    |
|------|-------------------------|------|-------------|---------------------------------------|------------------------------------|----|
|      | 010001208-01            | OEM  | 1206        | Handbrenner 4 m - Direktanschluss     | Hand torch 4 m – direct connection |    |
|      | 010001207-01            | OEM  | 1207        | Maschinenbrenner 6 m – Direktanschl.  | Machine torch 6 m - direct con.    |    |
|      | 010001207-20            | OEM  | 1207.20     | Maschinenbrenner 12 m – Direktanschl. | Machine torch 12 m - direct con.   |    |
| 1    | 05-001359-01            |      | 1136        | Handbrennerkopf                       | Hand torch head                    | ## |
|      | 010001347-01            | OEM  | 1347        | Maschinenbrennerkopf                  | Machine torch head                 |    |
| 2    | 05-001516-01            |      | 1516        | Elektrode - Hf.                       | Electrode - Hf.                    | ## |
| 3    | 05-001507-01            |      | 1507        | Swirl Ring - VESPEL®                  | Swirl ring - VESPEL®               | ## |
| 4    | 05-001290-01            |      | 1290        | Düse Ø 0,7                            | Tip Ø 0.7                          | ## |
| 5    | 05-001906-01            |      | 1906        | Düsenhalter                           | Nozzle retaining cap               | ## |
|      | 05-001628-01            |      | 162         | Kreisschneidest                       | Circle Cutting attachment          | ## |
|      | 05-001629-01            |      | 157         | Fahrwagen                             | Cutting Guide                      | ## |

PASSEND FÜR / SUITABLE FOR:

**CEBORA®**

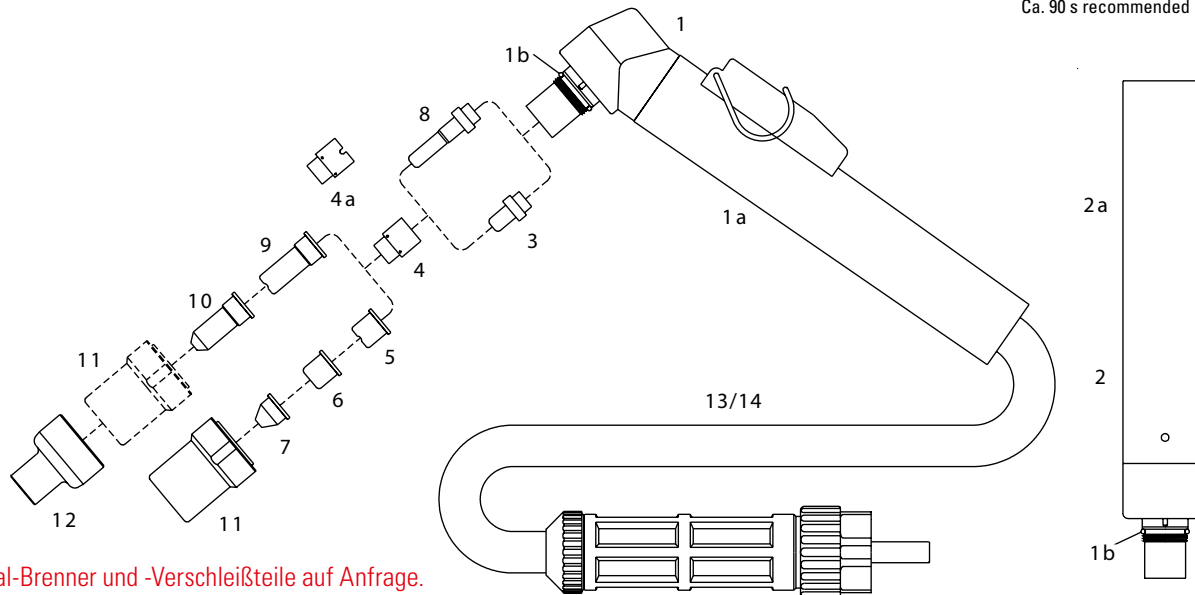
P-50®

P35 HF®, Art. 896

P50®, Art. 937

**Technische Daten / Technical Data:**

Sicherheitssystem / Safety system: Elektrisch / Electrical  
 Zündung / Ignition: Pilotlichtbogen mit HF-Zündung / Pilot arc with HF-ignition  
 Schneidleistung / Cutting performance: 50A bei 60 % Einschaltdauer / 50A at 60 % duty cycle  
 Luftversorgung / Air supply: Saubere, trockene Luft, 4,5 bar – 120 l/min Pure, dry air, 4,5 bar – 120 l/min  
 Nachströmzeit / Post flow time: Ca. 90 s empfohlen / Ca. 90 s recommended



Original-Brenner und -Verschleißteile auf Anfrage.  
 OEM torches and consumables on request.

| Item  | Bestell-Nr. / Order No. | Ref.    | Bezeichnung                     | Description                          | Euro |
|-------|-------------------------|---------|---------------------------------|--------------------------------------|------|
|       | 05-001526-01            | 1526    | Handbrenner 6 m (1/8")          | Hand torch 6 m (1/8")                | ##   |
|       | 05-001574-01            | 1574    | Handbrenner 6 m ZA              | Hand torch 6 m (central connector)   | ##   |
|       | 05-001526-02            |         | Handbrenner 12 m (1/8")         | Hand torch 12 m (1/8")               | ##   |
|       | 05-001574-02            |         | Handbrenner 12 m ZA             | Hand torch 12 m (central connector)  | ##   |
| 1     | 05-001352-01            | 1352    | Handbrennerkopf                 | Hand torch head                      | ##   |
| 1a    | 05-001730-01            | 1356    | Handgriff mit Druckknopf        | Handgrip with microswitch            | ##   |
| 1b    | 05-001731-01            | 316006  | O - Ring (20 Stck.) Einzelpreis | O - Ring (20 pcs.) Unit price        | ##   |
| 2     | 05-001352-02            |         | Maschinenbrennerkopf            | Machine torch head                   | ##   |
| 2a    | 05-001774-01            | 3055623 | Führungsrohr                    | Machine handle                       | ##   |
| 3     | 05-001521-02            | 1521    | Elektrode                       | Electrode                            | ##   |
| 4     | 05-001511-01            |         | Swirl Ring                      | Swirl ring                           | ##   |
| 5     | 05-001304-01            | 1304    | Düse Ø 1.0                      | Tip Ø 1.0                            | ##   |
|       | 05-001396-01            | 1396    | Düse, long life, kurz, Ø 1.0    | Tip long life Ø 1.0                  | ##   |
|       | 05-001396-02            |         | Düse, long life, kurz, Ø 1.1    | Tip long life Ø 1.1                  | ##   |
| 6     | 05-027050-01            |         | Düse, flach 1,0 Maschine        | Tip flat 1,0 machine                 | ##   |
| 7     | 05-001305-01            | 1305    | Düse, konisch, kurz             | Conical tip Ø 1.0 (Lo - Amp.)        | ##   |
| 8     | 05-001518-02            | 1518    | Elektrode, lang, Zirkonium      | Extended electrode - Zr.             | ##   |
| 9     | 05-001370-01            | 1370    | Düse, lang, Ø 1.0               | Extended tip, Ø 1.0                  | ##   |
|       | 05-001395-01            | 1395    | Düse, long life, lang, Ø 1.0    | Extended tip, long life Ø 1.0        | ##   |
|       | 05-001395-02            |         | Düse, long life, lang, Ø 1.1    | Extended tip, long life Ø 1.1        | ##   |
| 10    | 05-001306-01            | 1306    | Düse, konisch, lang Ø 1.0       | Extended conical tip Ø 1.0           | ##   |
| 11    | 05-001711-01            |         | Düsenhalter                     | Nozzle retaining cap                 | ##   |
| 12    | 05-001750-01            |         | Schutzkappe für lange Düsen     | Shield cup, hand (for extended tips) | ##   |
| 13/14 | 05-027060-01            | 1344    | Brennerkabel, 6 m, (1/8")       | Cable 6 m, (1/8")                    | ##   |
|       | 05-027061-02            |         | Brennerkabel, 12 m, (1/8")      | Cable 12 m, (1/8")                   | ##   |
|       | 05-001660-01            |         | Kreisschneidest                 | Circle Cutting attachment            | ##   |
|       | 05-001661-01            |         | Fahrwagen                       | Cutting Guide                        | ##   |

PASSEND FÜR / SUITABLE FOR:

**CEBORA®**

P-70®

P35 PC/HF®, Art. 292

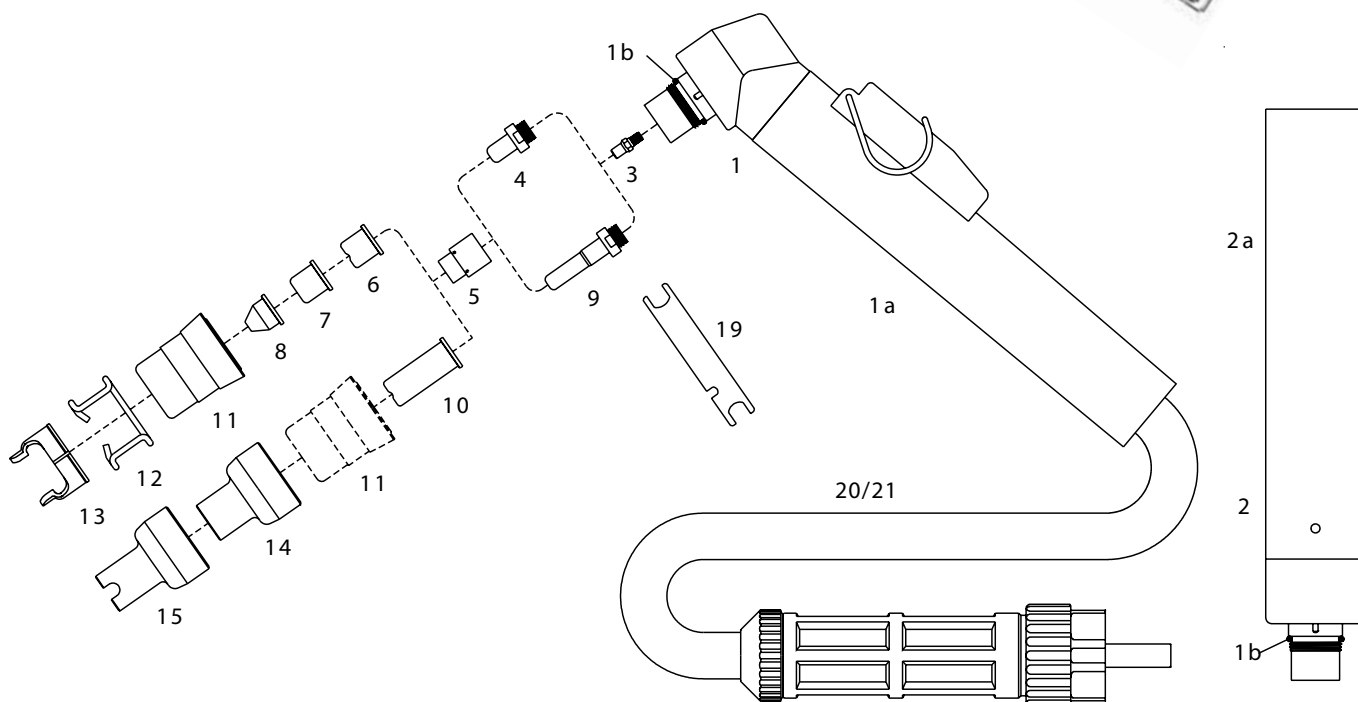
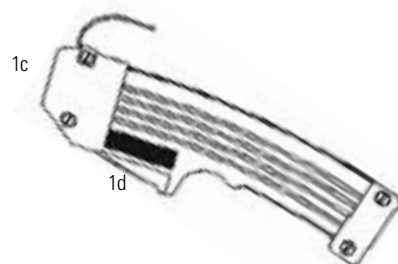
P36®, Art. 938

P52®, Art. 940

P70®, Art. 941

**Technische Daten/Technical Data:**

|  |   |
|--|---|
| Sicherheitssystem / Safety system:     | Elektrisch / Electrical   |
| Zündung / Ignition:                    | Pilotlichtbogen mit HF-Zündung /<br>Pilot arc with HF-ignition                    |
| Schneidleistung / Cutting performance: | 70A bei 60 % Einschaltdauer /<br>70A at 60 % duty cycle                           |
| Luftversorgung / Air supply:           | Saubere, trockene Luft, 4,5 bar – 130 l/min<br>Pure, dry air, 4,5 bar – 130 l/min |
| Nachströmzeit / Post flow time:        | Ca. 90 s empfohlen /<br>Ca. 90 s recommended                                      |



Original-Brenner und -Verschleißteile auf Anfrage.  
 OEM torches and consumables on request.

| Item  | Bestell-Nr./Order No. | Ref.      | Bezeichnung                               | Description                                 | Euro |
|-------|-----------------------|-----------|---|---|------|
|       | 05-001564-01          | 1564      | Handbrenner 6 m (1/8")                    | Hand torch 6 m (1/8")                       | ##   |
|       | 05-001573-01          | 1573      | Handbrenner 6 m ZA                        | Hand torch 6 m (central connector)          | ##   |
|       | 05-001573-02          | 1573.20   | Handbrenner 12 m ZA                       | Hand torch 12 m (central connector)         | ##   |
|       | 05-001573-04          |           | Handbrenner 6 m ZA Bananenhandgriff       | Hand torch 6 m (central connector)          | ##   |
|       | 05-001573-05          |           | Handbrenner 12 m ZA Bananenhandgriff      | Hand torch 12 m (central connector)         | ##   |
|       | 05-001573-06          |           | Handbrenner 6 m ZA ErgoCut                | Hand torch 6 m (central connector) ErgoCut  | ##   |
|       | 05-001573-07          |           | Handbrenner 12 m ZA ErgoCut               | Hand torch 12 m (central connector) ErgoCut | ##   |
|       | 05-001563-01          | 1563      | Maschinenbrenner 6 m (1/8")               | Machine torch 6 m (1/8")                    | ##   |
|       | 05-001566-01          | 1566      | Maschinenbrenner 6 m ZA                   | Machine torch 6 m (central connector)       | ##   |
|       | 05-001566-20          | 1566.20   | Maschinenbrenner 12 m ZA                  | Machine torch 12 m (central connector)      | ##   |
| 1     | 05-001351-01          | 1351      | Handbrennerkopf long life, fest vergossen | Hand torch head, long life                  | ##   |
| 1a    | 05-001730-01          | 1356      | Handgriff mit Druckknopf                  | Handgrip with push bottom                   | ##   |
| 1b    | 05-001731-01          | 3.160.067 | O - Ring (20 Stck.) Einzelpreis           | O - Ring (20 pcs.) Unit price               | ##   |
| 1c    | 05-001758-01          |           | Handgriff Banane                          | Handgrip with microswitch                   | ##   |
| 1d    | 05-001758-02          |           | Microschalter                             | Microswitch                                 | ##   |
| 1e    | 05-001351-02          |           | Handbrennerkopf ErgoCut                   | Hand torch head ErgoCut                     | ##   |
| 1f    | 05-001758-04          |           | Handgriff ErgoCut                         | Handgrip ErgoCut                            | ##   |
| 2     | 05-001349-01          | 1349      | Maschinenbrennerkopf                      | Machine torch head                          | ##   |
| 2a    | 05-001774-01          | 3.055.623 | Führungsrohr                              | Machine handle                              | ##   |
| 3     | 05-001732-01          | 3.065.204 | Diffusor                                  | Diffusor                                    | ##   |
| 4     | 05-001402-02          | 1402      | Elektrode                                 | Electrode                                   | ##   |
| 5     | 05-001511-01          | 1510      | Swirl Ring                                | Swirl ring                                  | ##   |
| 6     | 05-001309-01          | 1309      | Düse, kurz, Ø 0.9 mm - 35A                | Tip Ø 0.9 - 35A                             | ##   |
|       | 05-001396-01          | 1396      | Düse, long life, kurz, Ø 1,0 - 50A        | Tip long life Ø 1.0 - 50A                   | ##   |
|       | 05-001396-02          |           | Düse, long life, kurz, Ø 1,1 - 60A        | Tip long life Ø 1.1 - 60A                   | ##   |
|       | 05-001308-01          | 1308      | Düse, kurz, Ø 1,2 - 70A                   | Tip Ø 1.2 - 70A                             | ##   |
| 7     | 05-027050-01          |           | Düse, flach 1,0 Maschine                  | Tip flat 1,0 machine                        | ##   |
|       | 05-027050-02          |           | Düse, flach 1,2 Maschine                  | Tip flat 1,2 machine                        | ##   |
| 8     | 05-001305-01          | 1305      | Düse, konisch, kurz, Ø 1,2 mm             | Conical tip Ø 1.0 (Lo - Amp.)               | ##   |
| 9     | 05-001403-02          | 1368      | Elektrode, lang, Hf                       | Extended electrode - Hf                     | ##   |
| 10    | 05-001366-01          | 1366      | Düse, lang, Ø 0.9 mm - 35A                | Tip Ø 0.9 - 35A                             | ##   |
|       | 05-001395-01          | 1395      | Düse, long life, lang, Ø 1,0 - 50A        | Tip long life Ø 1.0 - 50A                   | ##   |
|       | 05-001395-03          |           | Düse, long life, lang, Ø 1,1 - 60A        | Tip long life Ø 1.1 - 60A                   | ##   |
|       | 05-001395-02          |           | Düse, long life, lang, Ø 1,2 - 70A        | Tip long life Ø 1.2 - 70A                   | ##   |
| 11    | 05-001710-01          | 5.710.171 | Düsenhalter                               | Nozzle retaining cap                        | ##   |
| 12    | 05-001394-01          | 1394      | Abstandsfeder                             | Spacer spring                               | ##   |
| 13    | 05-001405-01          | 1405      | Abstandsstück mit 2 Spitzen               | Double pointed spacer                       | ##   |
| 14    | 05-001751-01          |           | Düsenschutz bis 50A                       | Shield cap, hand (for extended tips )       | ##   |
| 15    | 05-001752-01          |           | Düsenschutz - Kontaktschneiden            | Spacer for contact cutting, hand            | ##   |
| 19    | 05-001733-01          | 3.045.012 | Elektrodenschlüssel                       | Wrench for electrod                         | ##   |
| 20/21 | 05-001715-01          | 1344      | Brennerkabel, 6 m, (1/8")                 | Cable 6 m, (1/8")                           | ##   |
|       | 05-001716-01          |           | Brennerkabel, 12 m, (1/8")                | Cable 12 m, (1/8")                          | ##   |
|       | 05-001668-01          |           | Kreisschneidest                           | Circle Cutting attachment                   | ##   |
|       | 05-001669-01          |           | Fahrwagen                                 | Cutting Guide                               | ##   |

PASSEND FÜR / SUITABLE FOR:

**CEBORA®**

CP-90®, CP91®

PC5060/T®, Art. 354

PC6060/T®, Art. 355

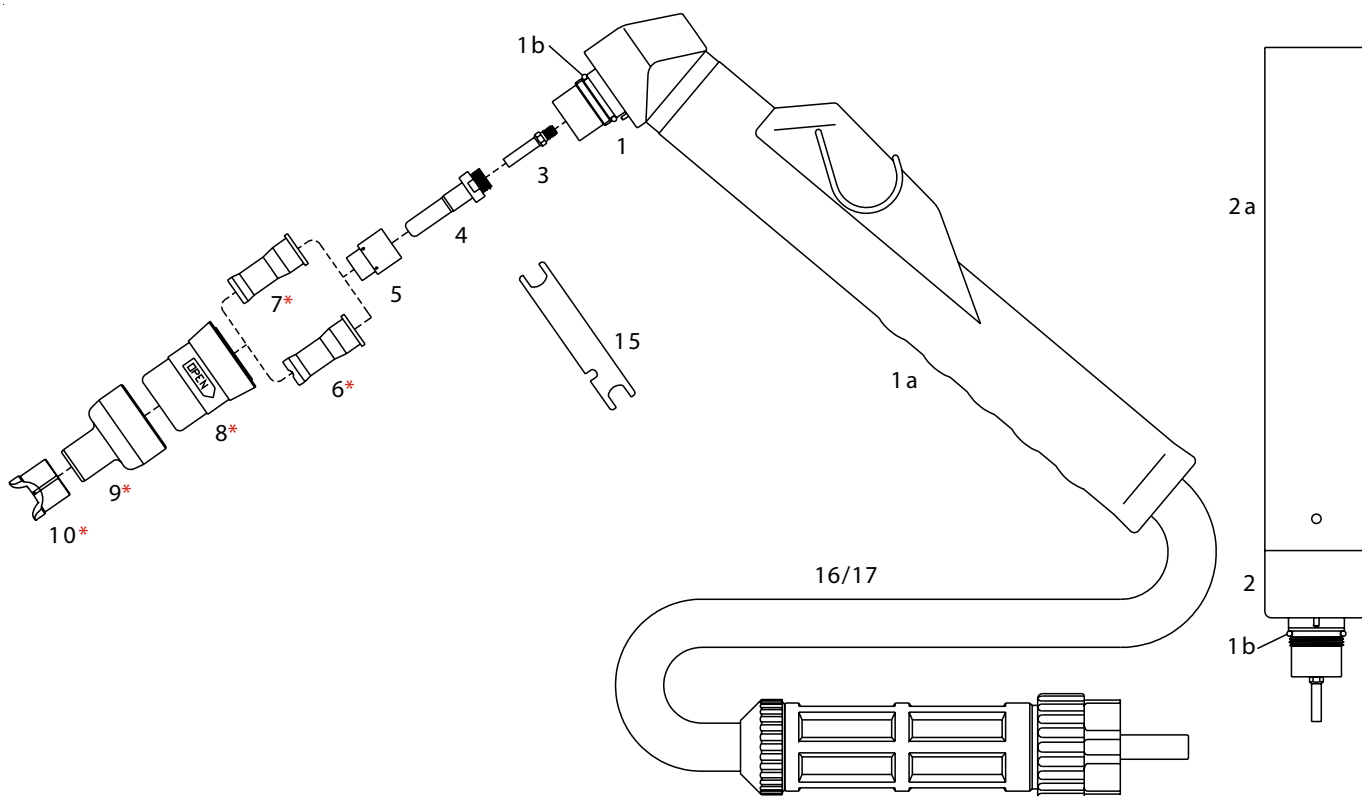
PC9060/T®, Art. 356

P55®, Art. 965

P80®, Art. 947

**Technische Daten/Technical Data:**

|                                      |   |
|--------------------------------------|---|
| Sicherheitssystem/Safety system:     | Elektrisch/Electrical   |
| Zündung/Ignition:                    | Pilotlichtbogen mit HF-Zündung/<br>Pilot arc with HF-ignition                     |
| Schneidleistung/Cutting performance: | 90A bei 60 % Einschaltdauer/<br>90A at 60 % duty cycle                            |
| Luftversorgung/Air supply:           | Saubere, trockene Luft, 4,5 bar – 160 l/min<br>Pure, dry air, 4,5 bar – 160 l/min |
| Nachströmzeit/Post flow time:        | Ca. 90 s empfohlen/<br>Ca. 90 s recommended                                       |



\* Nicht mit Originalteilen kombinieren. Verwenden Sie entweder Originalteile oder Nachbauteile (Pos. 6–14).

\* Do not combine with OEM parts. Use either OEM parts or replacement part (Pos. 6–14).

Original-Brenner und -Verschleißteile auf Anfrage.  
 OEM torches and consumables on request.

PASSEND FÜR / SUITABLE FOR:

**CEBORA®**

CP-90®, CP91®

PC5060/T®, Art. 354

PC6060/T®, Art. 355

PC9060/T®, Art. 356

P55®, Art. 965

P80®, Art. 947

| Item  | Bestell-Nr./Order No. | Ref.      | Bezeichnung                     | Description                            | Euro |
|-------|-----------------------|-----------|---------------------------------|--|------|
|       | 05-001214-01          | 1214      | Handbrenner 6 m ZA              | Hand torch 6 m (central connector)     | ##   |
|       | 05-001214-20          | 1214.20   | Handbrenner 12 m ZA             | Hand torch 12 m (central connector)    | ##   |
|       | 05-001218-01          | 1218      | Maschinenbrenner 6 m ZA         | Machine torch 6 m (central connector)  | ##   |
|       | 05-001218-20          | 1218.20   | Maschinenbrenner 12 m ZA        | Machine torch 12 m (central connector) | ##   |
|       | 05-001215-01          | 1215      | Handbrenner 6 m (1/8")          | Hand torch 6 m (1/8")                  | ##   |
| 1     | 05-001358-01          | 1358      | Handbrennerkopf                 | Hand torch head                        | ##   |
| 1a    | 05-001730-01          |           | Handgriff mit Druckknopf        | Handgrip with microswitch              | ##   |
| 1b    | 05-001731-01          | 3.160.067 | O - Ring (20 Stck.) Einzelpreis | O - Ring (20 pcs.) Unit price          | ##   |
| 2     | 05-001348-01          | 1348      | Maschinenbrennerkopf            | Machine torch head                     | ##   |
| 2a    | 05-001774-01          | 3.055.623 | Führungsrohr                    | Machine handle                         | ##   |
| 3     | 05-001734-01          | 3.065.204 | Diffusor                        | Diffusor                               | ##   |
| 4     | 05-001403-02          | 1368      | Elektrode                       | Electrode                              | ##   |
| 5     | 05-001511-01          | 1510      | Swirl Ring                      | Swirl ring                             | ##   |
| 6*    | 05-001397-10          |           | Düse, long life, lang, Ø 1,0 mm | Tip long life Ø 1.0 - 20 - 50A         | ##   |
| 7*    | 05-001397-12          |           | Düse, long life, lang, Ø 1,2 mm | Tip long life Ø 1.2 - 50 - 70A         | ##   |
|       | 05-001397-13          |           | Düse, long life, lang, Ø 1,3 mm | Tip long life Ø 1.3 - 70 - 90A         | ##   |
| 8*    | 05-001712-01          |           | Düsenhalter                     | Nozzle retaining cap                   | ##   |
| 9*    | 05-001755-01          |           | Düsenschutz                     | Shield cap, hand                       | ##   |
| 10*   | 05-001756-01          |           | Abstandsstück                   | Spacer for contact cutting, hand       | ##   |
| 15    | 05-001733-01          | 3.045.012 | Elektrodenschlüssel             | Wrench for electrode                   | ##   |
| 16/17 | 05-001715-01          | 1344      | Brennerkabel, 6 m, (1/8")       | Cable 6 m, (1/8")                      | ##   |
|       | 05-001716-01          |           | Brennerkabel, 12 m, (1/8")      | Cable 12 m, (1/8")                     | ##   |
|       | 05-001630-01          |           | Kreisschneidest                 | Circle Cutting attachment              | ##   |
|       | 05-001631-01          |           | Fahrwagen                       | Cutting Guide                          | ##   |

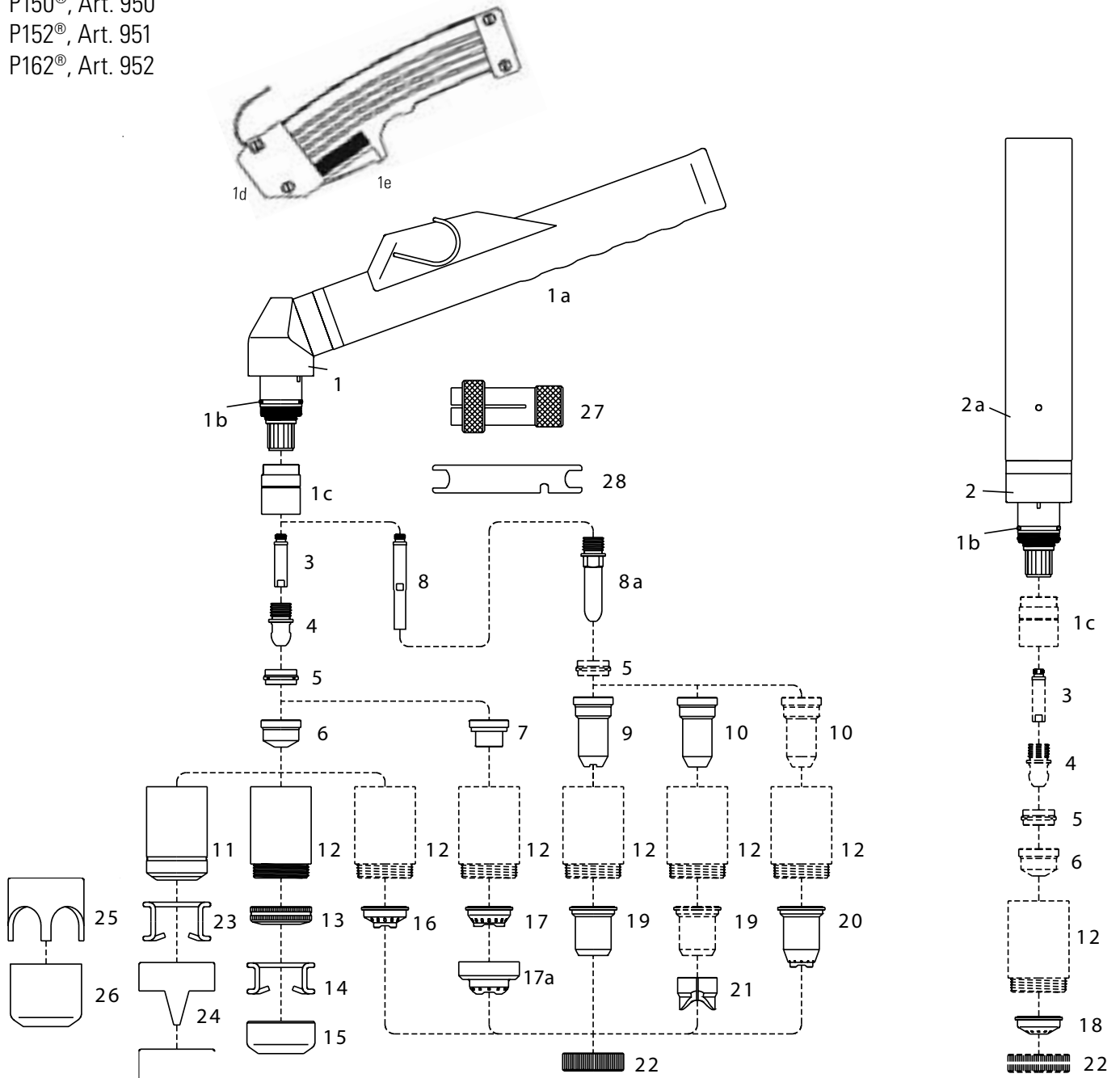
PASSEND FÜR / SUITABLE FOR:

**CEBORA®**

- P-150®, CP160®
- P90®, Art. 942
- P92®, Art. 943
- P120®, Art. 945
- P122®, Art. 946
- P150®, Art. 950
- P152®, Art. 951
- P162®, Art. 952

**Technische Daten / Technical Data:**

|  |   |
|--|---|
| Sicherheitssystem / Safety system:     | Elektrisch / Electrical   |
| Zündung / Ignition:                    | Pilotlichtbogen mit HF-Zündung / Pilot arc with HF-ignition                       |
| Schneidleistung / Cutting performance: | 150A bei 60 % Einschaltdauer / 150A at 60 % duty cycle                            |
| Luftversorgung / Air supply:           | Saubere, trockene Luft, 4,5 bar – 220 l/min<br>Pure, dry air, 4,5 bar – 220 l/min |
| Nachströmzeit / Post flow time:        | Ca. 90 s empfohlen / Ca. 90 s recommended   |



**Original-Brenner und -Verschleißteile auf Anfrage.**  
**OEM torches and consumables on request.**

| Item | Bestell-Nr./Order No. | Ref.      | Bezeichnung                                | Description                                  | Euro |
|------|-----------------------|-----------|--|--|------|
|      | 05-001226-01          | 1226      | Handbrenner 6 m ZA                         | Hand torch 6 m (central connector)           | ##   |
|      | 05-001226-20          | 1226.20   | Handbrenner 12 m ZA                        | Hand torch 12 m (central connector)          | ##   |
|      | 05-001226-03          |           | Handbrenner 6 m ZA, Banananhandgriff       | Hand torch 6 m (central connector)           | ##   |
|      | 05-001226-04          |           | Handbrenner 12 m ZA, Banananhandgriff      | Hand torch 12 m (central connector)          | ##   |
|      | 05-001226-05          |           | Handbrenner 6 m ZA, ErgoCut                | Hand torch 6 m (central connector), ErgoCut  | ##   |
|      | 05-001226-06          |           | Handbrenner 12 m ZA, ErgoCut               | Hand torch 12 m (central connector), ErgoCut | ##   |
|      | 05-001228-01          | 1228      | Maschinenbrenner 6 m ZA                    | Machine torch 6 m (central connector)        | ##   |
|      | 05-001228-20          | 1228.20   | Maschinenbrenner 12 m ZA                   | Machine torch 12m (central connector)        | ##   |
| 1    | 05-001353-01          | 1353      | Handbrennerkopf, long life, fest vergossen | Hand torch head, long life                   | ##   |
| 1a   | 05-001770-01          |           | Handgriff mit Druckknopf                   | Handgrip with push bottom                    | ##   |
| 1b   | 05-001771-01          | 1398      | O – Ring (20 Stck.) Einzelpreis            | O – Ring (20 pcs.) Unit price                | ##   |
| 1c   | 05-001735-01          |           | Isolierhülse                               | Front Insulator                              | ##   |
| 1d   | 05-001758-01          |           | Handgriff, Banane                          | Handgrip with microswitch                    | ##   |
| 1e   | 05-001758-02          |           | Microschalter                              | Microswitch                                  | ##   |
| 1f   | 05-001353-02          |           | Handbrennerkopf, ErgoCut                   | Hand torch head, ErgoCut                     | ##   |
| 1g   | 05-001758-05          |           | Handgriff, ErgoCut                         | Handgrip, ErgoCut                            | ##   |
| 2    | 05-001354-01          | 1354      | Maschinenbrennerkopf                       | Machine torch head                           | ##   |
| 2a   | 05-001774-01          | 3.055.623 | Führungsrohr                               | Machine handle                               | ##   |
| 3    | 05-001378-01          | 1378      | Diffusor                                   | Diffusor                                     | ##   |
| 4    | 05-001376-01          | 1376      | Elektrode                                  | Electrode                                    | ##   |
| 5    | 05-001377-01          | 1377      | Swirl Ring                                 | Swirl ring                                   | ##   |
| 6    | 05-001371-01          | 1371      | Düse, long life, Ø 1,1                     | Tip long life Ø 1.1                          | ##   |
|      | 05-001372-01          | 1372      | Düse, long life, Ø 1,35                    | Tip long life Ø 1.35                         | ##   |
|      | 05-001373-01          | 1373      | Düse, long life, Ø 1,6                     | Tip long life Ø 1.6                          | ##   |
|      | 05-001374-01          | 1374      | Düse, long life, Ø 1,8                     | Tip long life Ø 1.8                          | ##   |
|      | 05-001375-01          | 1375      | Düse Fugenhobeln Ø 3,0                     | Gouging tip Ø 3.0                            | ##   |
| 7    | 05-001781-13          |           | Kontakt Düse Ø 1,35                        | Contact tip Ø 1,35                           | ##   |
|      | 05-001781-16          |           | Kontakt Düse Ø 1,6                         | Contact tip Ø 1,6                            | ##   |
|      | 05-001781-18          |           | Kontakt Düse Ø 1,8                         | Contact tip Ø 1,8                            | ##   |
| 8    | 05-001378-02          | 1378      | Diffusor , lang                            | Extended Diffusor                            | ##   |
| 8a   | 05-001517-02          | 1517      | Elektrode, lang, long life - Hf            | Extended electrode, long life - Hf           | ##   |
| 9    | 05-001369-01          | 1369      | Düse, lang, max 50A.                       | Extended contact tip max. 50A                | ##   |
| 10   | 05-001369-02          |           | Düse, lang, Ø 1,35 - 90A                   | Extended tip Ø 1,35 - 90A                    | ##   |
|      | 05-001369-03          |           | Düse, lang, Ø 1,6 - 120A                   | Extended tip Ø 1,6 - 120A                    | ##   |
|      | 05-001369-04          |           | Düse, lang, Ø 1,8 - 150A                   | Extended tip Ø 1,8 - 150A                    | ##   |
| 11   | 05-001389-01          | 1389      | Düsenhalter                                | Nozzle retaining cap                         | ##   |
| 12   | 05-001782-01          |           | Kontaktdüsenhalter, long life              | Contact nozzle retaining cap                 | ##   |
|      | 05-001783-01          |           | Kontaktdüsenhalter, long life - VESPEL®    | Contact nozzle retaining cap, Max Life       | ##   |
| 13   | 05-001789-01          |           | Überwurfmutter Federträger                 | Spring holder protection nut                 | ##   |
| 14   | 05-001790-01          |           | Abstandsfeder                              | Spacer spring                                | ##   |
| 15   | 05-001407-01          |           | Düsenchutz Spritzerschutz                  | Gouging spacer                               | ##   |
| 16   | 05-001791-01          |           | Düsenchutz Standarddüse                    | Spacer for contact cutting, hand             | ##   |
| 17   | 05-001787-01          |           | Düsenchutz Kontaktdüse                     | Spacer for contact cutting, hand             | ##   |
| 17a  | 05-001786-01          |           | Düsenchutz Gewinde, Kupfer                 | Spacer for contact cutting, hand             | ##   |
| 18   | 05-001788-02          |           | Düsenchutz Standard Maschine               | Shield cup, machine                          | ##   |
| 19   | 05-001792-01          |           | Düsenchutz max 50A                         | Shield cup, hand (max. 50A)                  | ##   |
| 20   | 05-001793-01          |           | Düsenchutz für lange Düsen                 | Spacer for contact cutting, hand             | ##   |
| 21   | 05-001793-02          |           | Abstandsstück 2 Spitzen                    | Spacer for extended tips High Amp.           | ##   |
| 22   | 05-001794-01          |           | Überwurfmutter                             | Locking nut                                  | ##   |
| 23   | 05-001386-01          | 1386      | Abstandsfeder                              | Spacer spring                                | ##   |
| 24   | 05-001408-01          | 1408      | Abstandsstück 2 Spitzen                    | Double pointed spacer                        | ##   |
| 25   | 05-001409-01          |           | Abstandsstück 4 Spitzen                    | Crown spaer                                  | ##   |
| 26   | 05-001406-01          | 1406      | Spritzschutz                               | Gouging spacer                               | ##   |
| 27   | 05-001509-01          | 1509      | Abzieher für Swirl Ring                    | Extractor for swirl ring                     | ##   |
| 28   | 05-001733-01          | 3.045.010 | Elektrodenschlüssel                        | Wrench for electrode                         | ##   |
|      | 05-001717-01          |           | Brennerkabel, 6 m, (1/8")                  | Cable 6 m, (1/8")                            | ##   |
|      | 05-001718-01          |           | Brennerkabel, 12 m, (1/8")                 | Cable 12 m, (1/8")                           | ##   |
|      | 05-001690-01          |           | Kreisschneidest                            | Circle Cutting attachment                    | ##   |
|      | 05-001691-01          |           | Fahrwagen                                  | Cutting Guide                                | ##   |



PASSEND FÜR / SUITABLE FOR:

**CEBORA®**

CP-161®



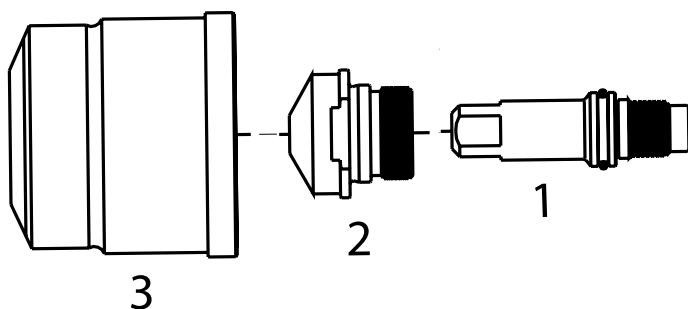
Original-Brenner und -Verschleißteile auf Anfrage.  
 OEM torches and consumables on request.

| Item | Bestell-Nr. / Order No. | Ref. | Bezeichnung               | Description              | Euro |
|------|-------------------------|------|---------------------------|--------------------------|------|
| 1    | 05-001760-01            | 1760 | Düse - Ø 1,2mm, 20A-60A   | Tip - Ø 1,2mm, 20A-60A   | ##   |
|      | 05-001761-01            | 1761 | Düse - Ø 1,4mm, 60A-100A  | Tip - Ø 1,4mm, 60A-100A  | ##   |
|      | 05-001762-01            | 1762 | Düse - Ø 1,6mm, 100A-120A | Tip - Ø 1,6mm, 100A-120A | ##   |
|      | 05-001763-01            | 1763 | Düse - Ø 1,8mm, 120A-160A | Tip - Ø 1,8mm, 120A-160A | ##   |
| 2    | 05-001876-01            | 1876 | Elektrode 20A-160A        | Electrode 20A-160A       | ##   |

PASSEND FÜR / SUITABLE FOR:

**CEBORA®**

CP-200®



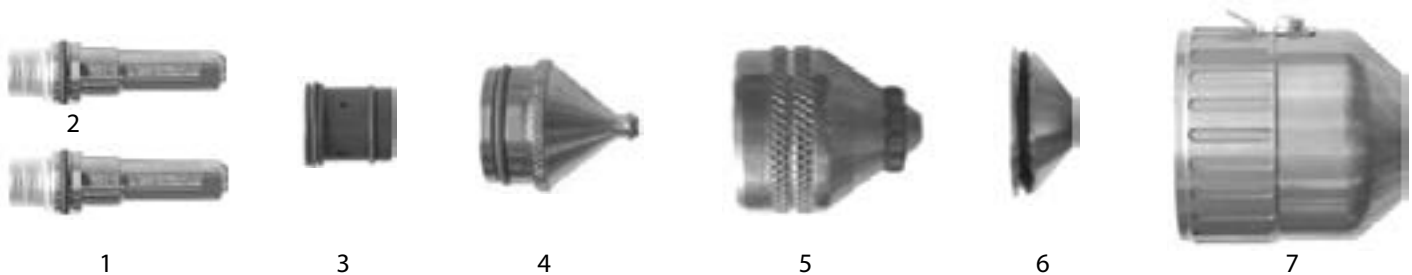
Original-Brenner und -Verschleißteile auf Anfrage.  
 OEM torches and consumables on request.

| Item | Bestell-Nr. / Order No. | Ref. | Bezeichnung              | Description            | Euro |
|------|-------------------------|------|--------------------------|------------------------|------|
| 1    | 05-001367-01            | 1367 | Elektrode 200A           | Electrode 200A         | ##   |
| 2    | 05-001842-01            | 1842 | Düse, Ø 1,0 - 20 - 50A   | Tip Ø 1.0 - 20 - 50A   | ##   |
|      | 05-001843-01            | 1843 | Düse, Ø 1,2 - 40 - 90A   | Tip Ø 1.2 - 40 - 90A   | ##   |
|      | 05-001844-01            | 1844 | Düse, Ø 1,3 - 80 - 120A  | Tip Ø 1.3 - 80 - 120A  | ##   |
|      | 05-001845-01            | 1845 | Düse, Ø 1,3 - 110 - 150A | Tip Ø 1.3 - 110 - 150A | ##   |
| 3    | 05-001905-01            | 1905 | Düsenhalter              | Nozzle holder          | ##   |

PASSEND FÜR / SUITABLE FOR:

**CEBORA®**

CP-251G®



| Item | Bestell-Nr./Order No. | Ref.   | Bezeichnung                                   | Description                                      | Euro |
|------|-----------------------|--------|---|--|------|
| 1    | 05-001872-01          | 1872   | Elektrode 20/50A                              | Electrode 20/50A                                 | ##   |
|      | 05-001870-01          | 1870   | Elektrode 70/120A                             | Electrode 70/120A                                | ##   |
|      | 05-001874-01          | 1874   | Elektrode 200/250A                            | Electrode 200/250A                               | ##   |
| 2    | 05-001872-02          | 1872SB | Elektrode 20/50A / SilverBOOST®               | Electrode 20/50A / SilverBOOST®                  | ##   |
|      | 05-001870-02          | 1870SB | Elektrode 70/120A / SilverBOOST®              | Electrode 70/120A / SilverBOOST®                 | ##   |
|      | 05-001874-02          | 1874SB | Elektrode 200/250A / SilverBOOST®             | Electrode 200/250A / SilverBOOST®                | ##   |
| 3    | 05-001968-01          | 1968   | Swirl Ring 20/50A                             | Swirl ring 20/50A                                | ##   |
|      | 05-001967-01          | 1967   | Swirl Ring 70/120A                            | Swirl ring 70/120A                               | ##   |
|      | 05-001969-01          | 1969   | Swirl Ring 200/250A                           | Swirl ring 200/250A                              | ##   |
| 4    | 05-001852-01          | 1852   | Düse Ø 0,8 20/50A                             | Tip Ø 0.8 20/50A                                 | ##   |
|      | 05-001853-01          | 1853   | Düse Ø 1,1 70/90A                             | Tip Ø 1.1 70/90A                                 | ##   |
|      | 05-001854-01          | 1854   | Düse Ø 1,3 110/120A                           | Tip Ø 1.3 110/120A                               | ##   |
|      | 05-001798-01          | 1798   | Düse Ø 1,6 200A                               | Tip Ø 1.6 200A                                   | ##   |
|      | 05-001799-01          | 1799   | Düse Ø 1,9 250A                               | Tip Ø 1.9 250A                                   | ##   |
| 5    | 05-001913-02          | 1913   | Düsenkappe O <sub>2</sub> , Air 70A-120A "O"  | Retaining cap O <sub>2</sub> , Air 70A-120A "O"  | ##   |
|      | 05-001915-02          | 1915   | Düsenkappe O <sub>2</sub> , Air 120A-250A "O" | Retaining cap O <sub>2</sub> , Air 120A-250A "O" | ##   |
| 6    | 05-001990-02          | 1990td | Wirbelgaskappe 20/50A                         | Shield 20/50A                                    | ##   |
|      | 05-001990-01          | 1990   | Wirbelgaskappe 70/120A                        | Shield 70/120A                                   | ##   |
|      | 05-001991-01          | 1991   | Wirbelgaskappe 200A                           | Shield 200A                                      | ##   |
|      | 05-001993-01          | 1993   | Wirbelgaskappe 250A                           | Shield 250A                                      | ##   |
| 7    | 05-001948-01          | 1948   | Halter Wirbelgaskappe "O"                     | Shield holder "O"                                | ##   |
|      | 05-001950-01          | 1950   | Halter Wirbelgaskappe "O"                     | Shield holder "O"                                | ##   |